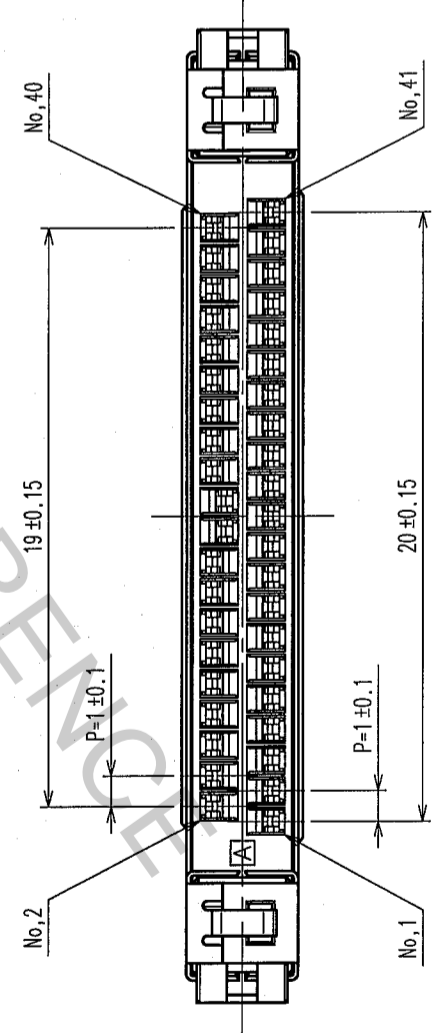
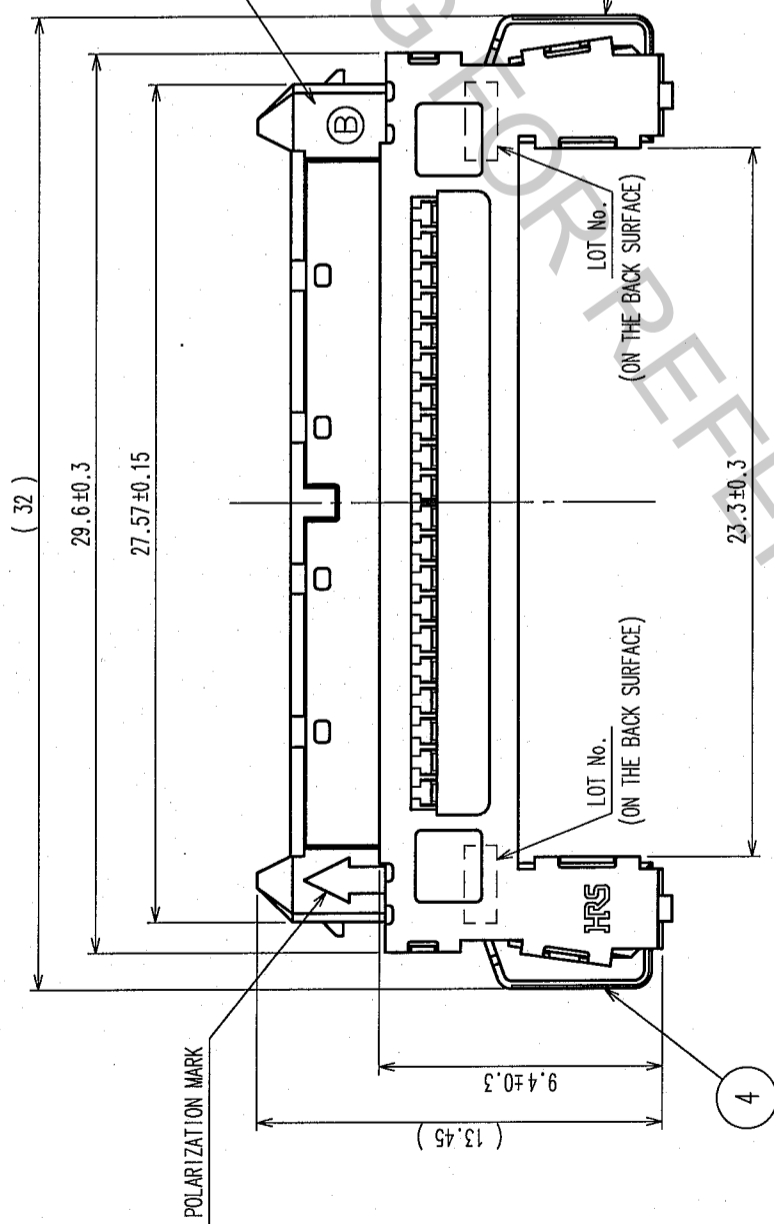
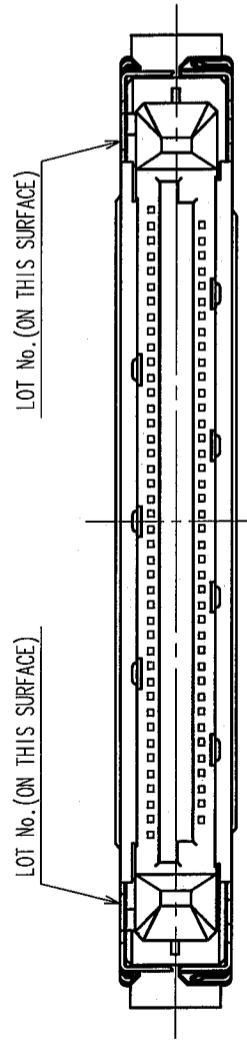


COUNT	DESCRIPTION OF REVISIONS	BY	CHKD	DATE	COUNT	DESCRIPTION OF REVISIONS	BY	CHKD	DATE
△				..	△				..
△				..	△				..
△				..	△				..



NOTE 1. The lot no. is marked on right and left areas of the indicated surface.  
 2. ( ) indicates a reference dimension.  
 3. The connectors are delivered in tray packaging.  
 Refer to the package specification drawing on Sheet 2 for details.

NO.	MATERIAL	FINISH, REMARKS	NO.	MATERIAL	FINISH, REMARKS
2	NICKEL SIRVER		4	STAINLESS	
1	PA	BLACK UL94V-0	3	NICKEL SIRVER	

CODE NO. (OLD)	CL	DRAWN	DESIGNED	CHECKED	APPROVED	RELEASED
		K.SHIBUYA	K. Shibusawa	H. Yamaguchi	H. Okawa	
		05.08.31	05.08.31	05.09.01	05.09.01	

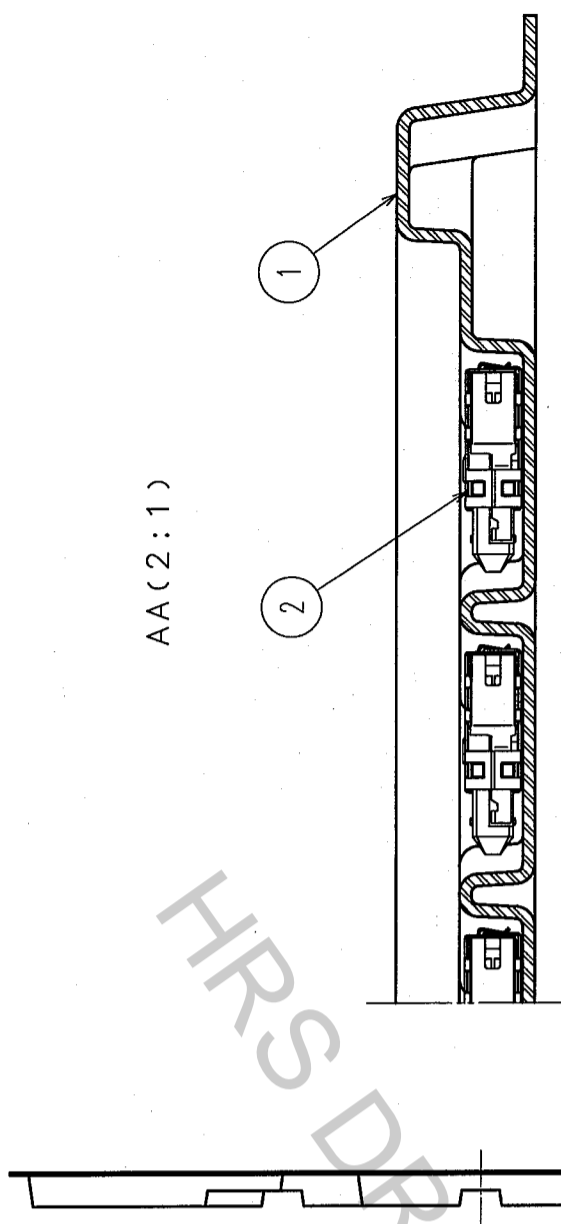
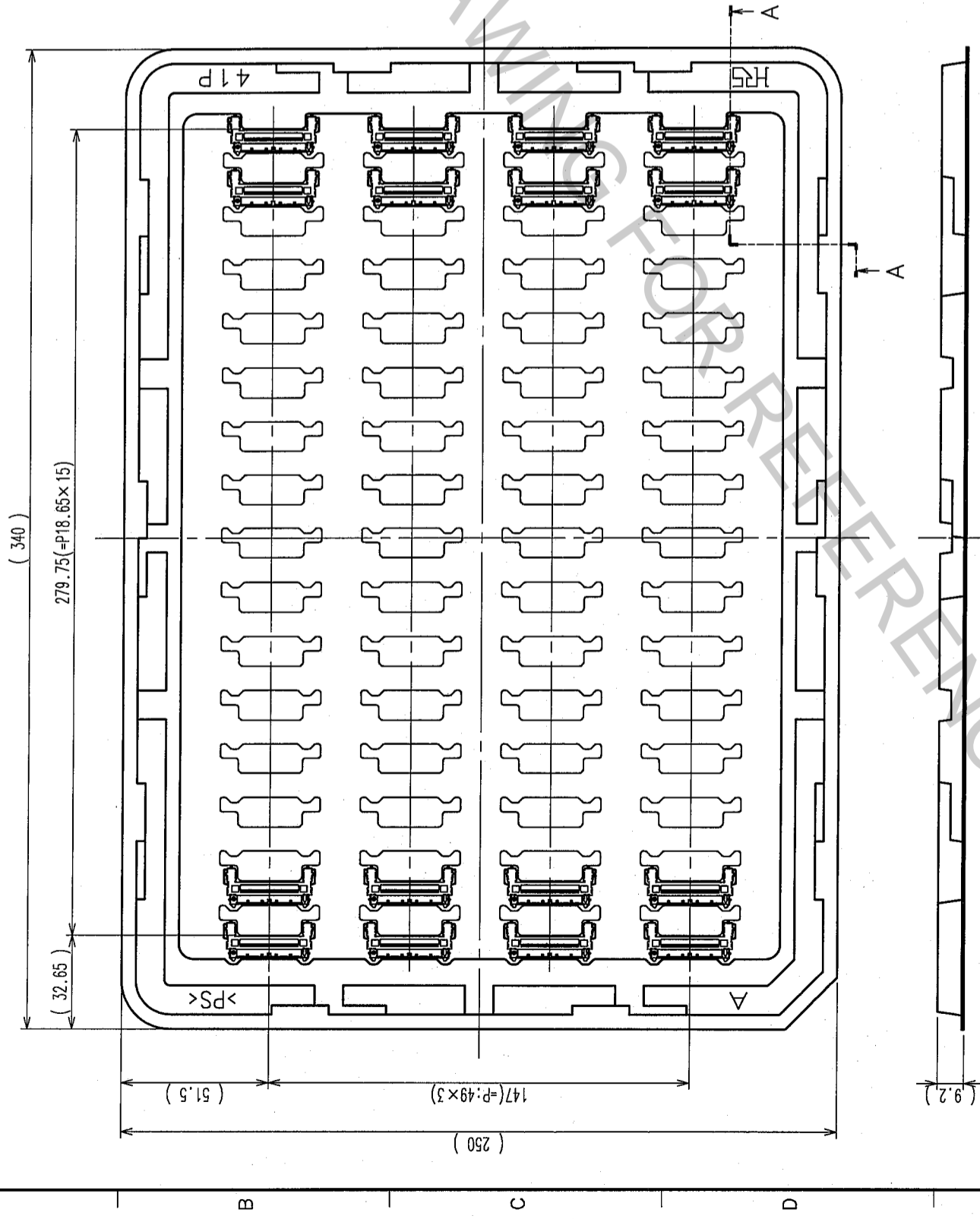
DRAWING NO.	PART NO.
EDC3-155938	FX15S-41P-C

SCALE	UNITS	CODE NO.
4 : 1	mm	CL575-2107-9

TO

COUNT	DESCRIPTION OF REVISIONS	BY	CHKD	DATE	COUNT	DESCRIPTION OF REVISIONS	BY	CHKD	DATE
△					△				
△					△				
△					△				



- NOTE 1. One tray contains 64 connectors.  
 2. Connectors are arranged in tray packaging as shown in the figure.  
 However, either connector surface can be the top.  
 3. ( ) indicates a reference dimension.

TO

1		TRAY		CONNECTOR	
NO.	MATERIAL	FINISH, REMARKS	NO.	MATERIAL	FINISH, REMARKS
1	PS		2		
CODE NO. (OLD)		DRAWN		DESIGNED	
CL		K.SHIBUYA		K.Shibuya / Yamaguchi / H.Okawa	
		05.08.31		05.08.31	
				05.09.01	
				05.09.01	
DRAWING NO.		PART NO.		PART NO.	
EDC3-155938		FX15S-41P-C		FX15S-41P-C	
SCALE		CODE NO.		CODE NO.	
1 : 2		CL575-2107-9		CL575-2107-9	
UNITS		HRS		HRS	
mm		HIROSE ELECTRIC CO., LTD		HIROSE ELECTRIC CO., LTD	

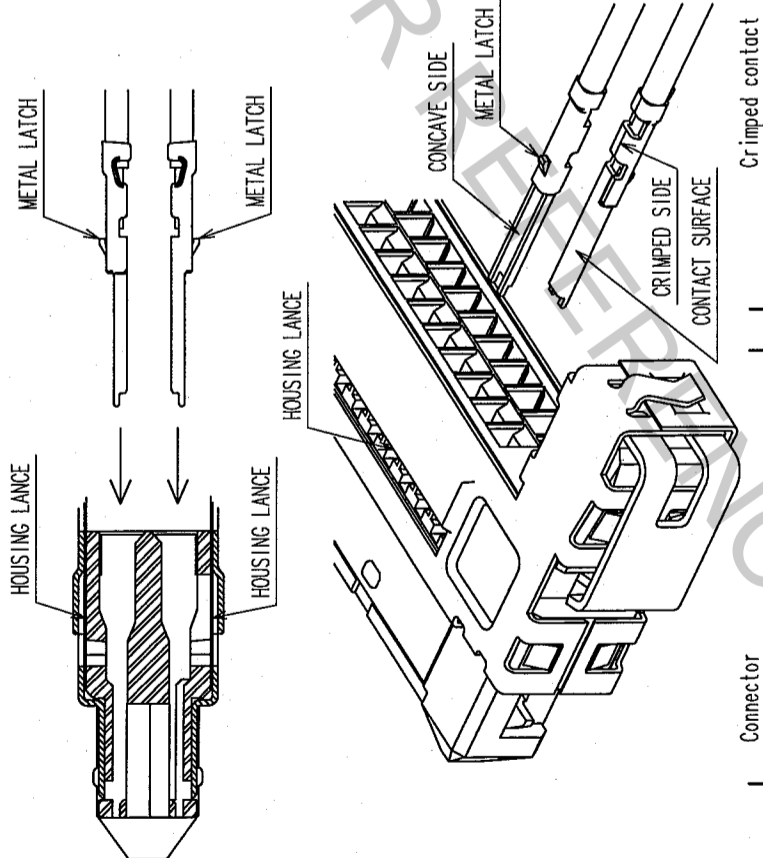
This connector requires careful handling. Please operate the connector with understanding of the following operation instructions.

Cautions for cable assembly

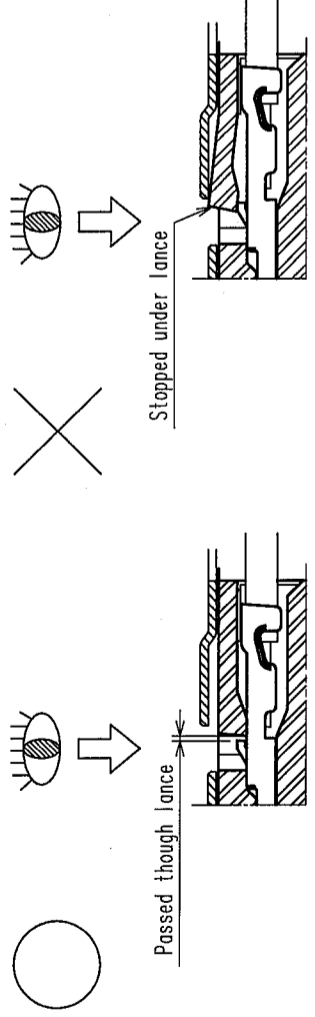
- ◆ Cable assembly conditions  
It is recommended that prior to starting of the cable termination the following information be obtained from Hirose. All documents may be requested from the nearest Hirose sales office or agency.
- 1. Crimping operation basic instruction (Basic information about cable assembly)
- 2. Instruction Manual-Contact crimp termination (Description of the press)
- 3. Installation Table-Applicator parts (Installation instruction-Applicator)
- 4. Table of crimp conditions (Crimp height, Tensile strength)
- 5. Manual of Crimp Quality Standards (Bell-mouth dimensions, Bend up/down, Rolling, others)

Follow the instructions in the documents for proper cable assembly.

- ◆ Crimped contact insertion  
Insert the crimped contacts straight, aligning the faces of the housing lance and the metal latch as shown in the figure. Insertion will not be completed without the alignment. It may also cause the deformation of the crimped contacts or the damage to the housing.

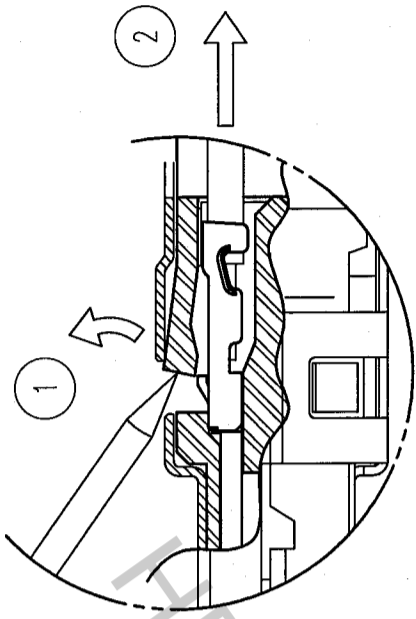


- ◆ Insertion confirmation of crimped contact  
To confirm the proper contact insertion, check the position of the metal latch through the housing lance opening. With the contact properly inserted, the metal latch is positioned where it has completely passed through the housing lance.



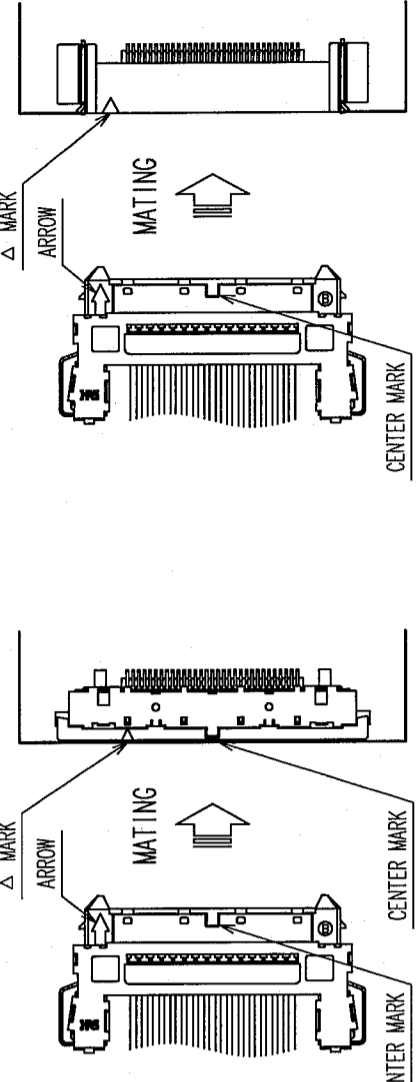
When the cable needs to be pulled for the check, make sure that the applied force is 3 N or lower. Excessive pulling of the cable may damage the housing lance, resulting in the deterioration of the lance retention force.

- ◆ Repair of crimped contacts  
To extract the crimped contact after insertion, pull the cable, with lifting the housing lance with a pointy tool such as a needle. The repair work may have reduced the lance retention force. Therefore, do not reuse the repaired connector. Prepare a new connector.



Cautions for mating with on-board connector

- ◆ Insertion to on-board connector  
The connector mating is keyed. Align the marks as shown in the figure for mating. Insert the connector completely until they are locked at both ends. The connectors have a reverse-insertion prevention structure, however, the connectors may be damaged when inserted reversely with the force of 25 N or more. Avoid a forceful insertion, and make sure to confirm that the connectors are aligned with the marks before the mating operation.



[EXAMPLE] RECEPTACLE: FX15S-\*\*-S-0.5SH

[EXAMPLE] RECEPTACLE: FX15M-\*\*-S-0.5SH

Note: The connectors shown in this "INSTRUCTION MANUAL" are drawn for the instruction purpose, therefore, the appearance differs from the actual connectors. Please confirm the connector configuration on the connector drawing (SHEET 1).

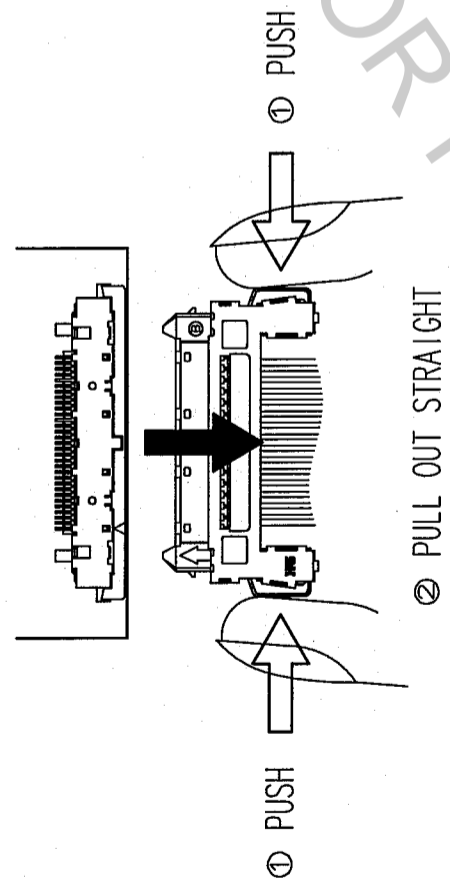
NO.	MATERIAL	FINISH, REMARKS	NO.	MATERIAL	FINISH, REMARKS
CL					
INSTRUCTION MANUAL					
SCALE	DRAWING NO.		PART NO.		
4 : 1	EDC3-155938		FX15S-41P-C		
UNITS	HRS HIROSE ELECTRIC CO., LTD		CODE NO.		
mm			CL575-2107-9		
	DESIGNED	CHECKED	APPROVED	RELEASED	
	K. SHIBUYA	K. Shibuya/H. Yamaguchi	H. Okawa		
	05.08.31	05.09.01	05.09.01		

NO.	DESCRIPTION OF REVISIONS	BY	CHKD	DATE	COUNT	DESCRIPTION OF REVISIONS	BY	CHKD	DATE
1					1				
2					1				
3					1				
4					1				
5					1				
6					1				
7					1				
8					1				

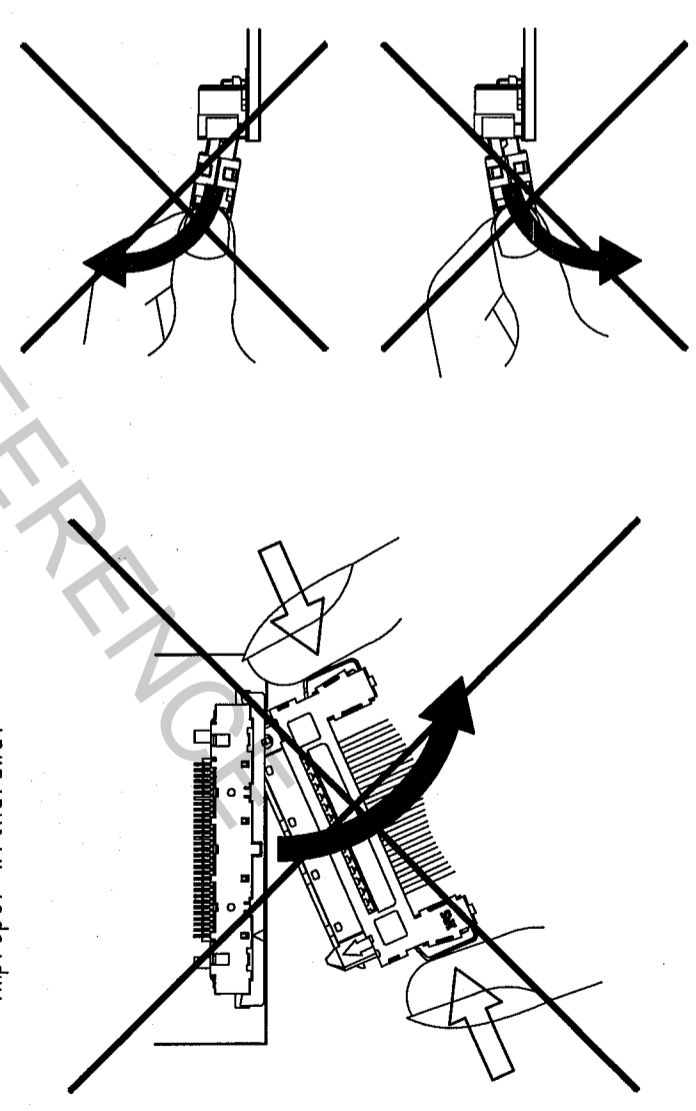
◆ After mating  
Carefully wire cables, so that excessive force will not be applied to the mated connectors. Especially, pulling a single cable with the force of 5 N or more may cause the cable (crimped contact) to fall out. Also, pulling a whole set of cables with the force of 20 N or more may damage the connectors. Take a caution to avoid pulling the cables.

◆ Withdrawal from on-board connector  
The connectors are locked while they are mated. In order to unmate the connectors, pull the connector straight, with releasing the lock by pushing both sides of the connector. At this time, do not pull the cable. Also, avoid the withdrawal in angle, which may damage the connectors.

< Proper withdrawal >

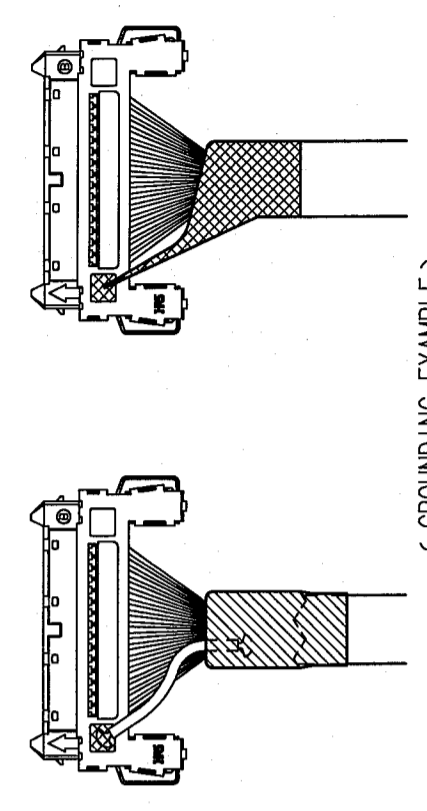
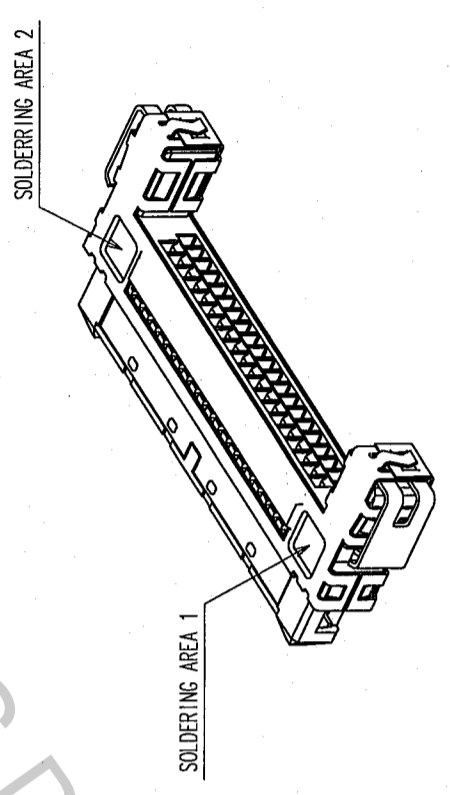


< Improper withdrawal >



Cautions for soldering

- ◆ Grounding method of cable shield  
The cable shield and ground wire can be connected to the connector by soldering. Make sure to solder properly, following the cautions below.
1. Solder the wire to the connector at the recommended area.  
Note that the soldering out of the recommended area may effect the product performance.
  2. Follow the temperature of the soldering tip and the time of soldering specified in the product specification sheet.
  3. Avoid applying excessive stress to the connector during soldering with the soldering tip.
  4. Take a caution for the flux desorption from wire soldering.  
The flux attached at the contact area may cause a contact failure.



Note: The connectors shown in this "INSTRUCTION MANUAL" are drawn for the instruction purpose, therefore, the appearance differs from the actual connectors. Please confirm the connector configuration on the connector drawing (SHEET 1).

NO.		MATERIAL		FINISH, REMARKS		NO.		MATERIAL		FINISH, REMARKS	
CODE NO. (OLD)		CL		INSTRUCTION MANUAL		DRAWN		DESIGNED		CHECKED	
						K. SHIBUYA		K. Shibuya / H. Yamaguchi / H. Okawa		APPROVED	
						05.08.31		05.08.31		05.09.01	
						SCALE		DRAWING NO.		PART NO.	
						4 : 1		EDC3-155938		FX15S-41P-C	
						UNITS		CODE NO.		4	
						ITTM		HIROSE ELECTRIC CO., LTD		CL575-2107-9	