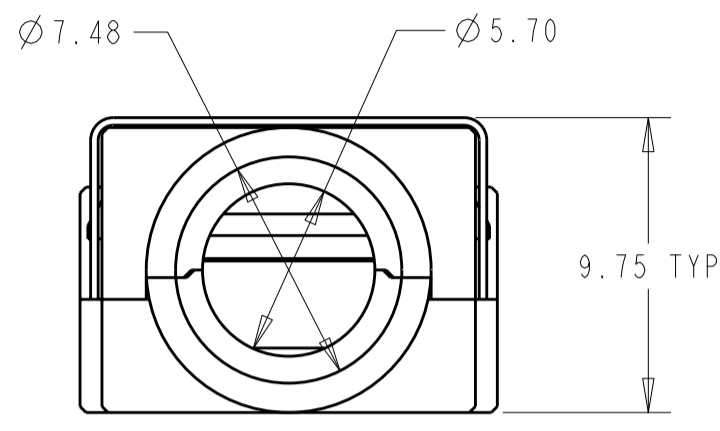
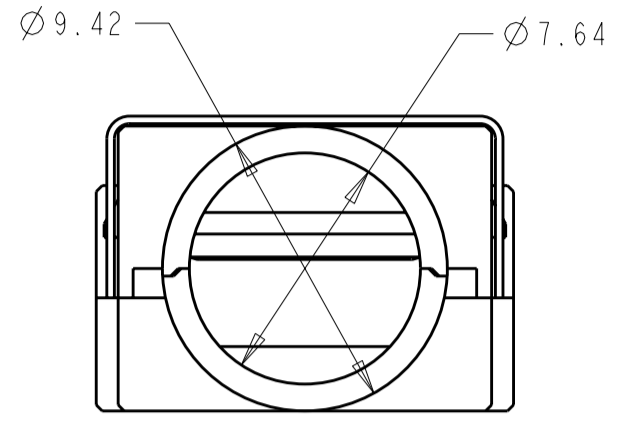
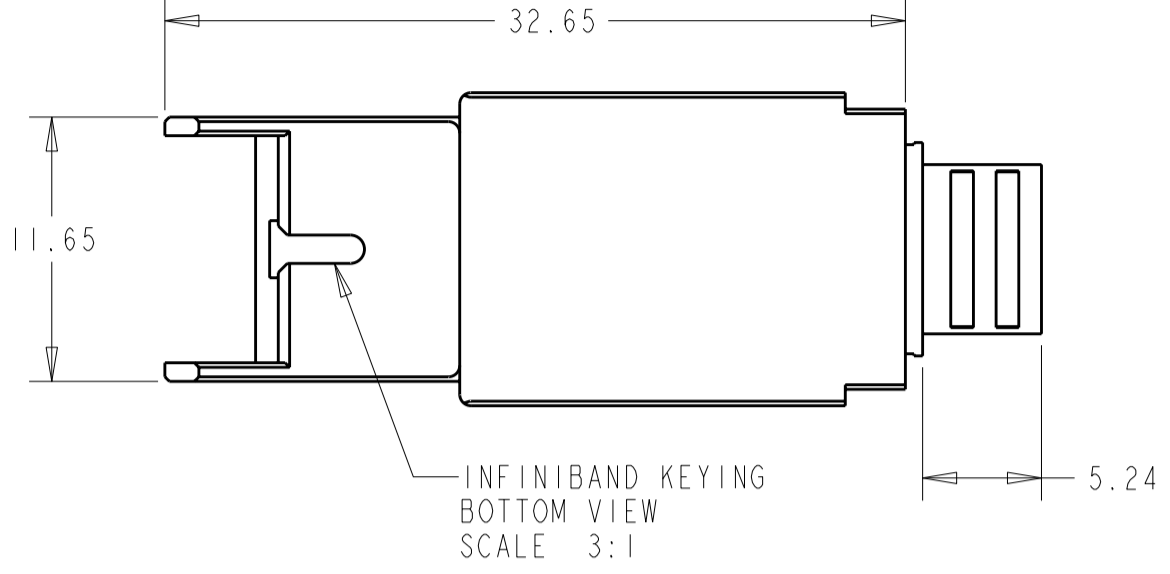
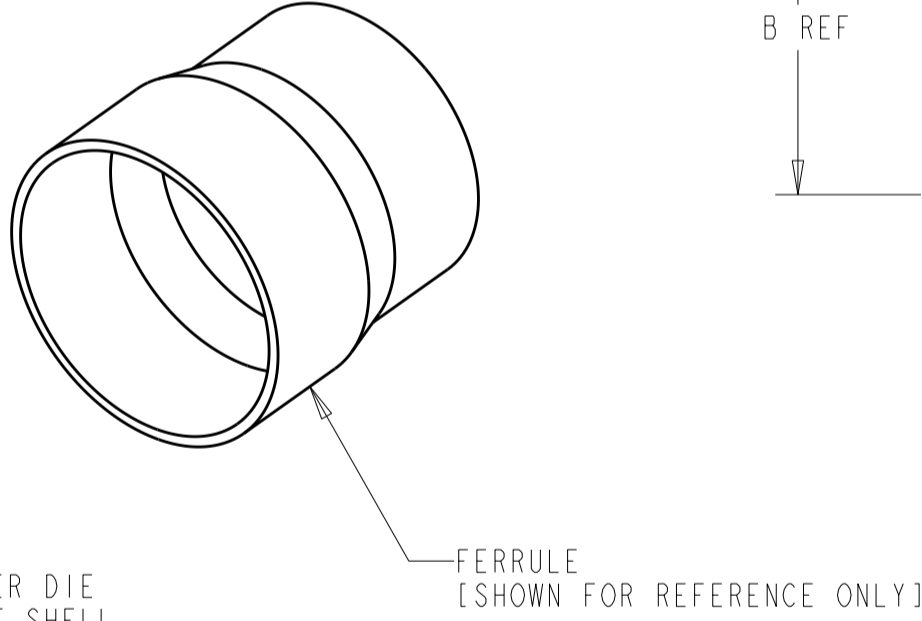
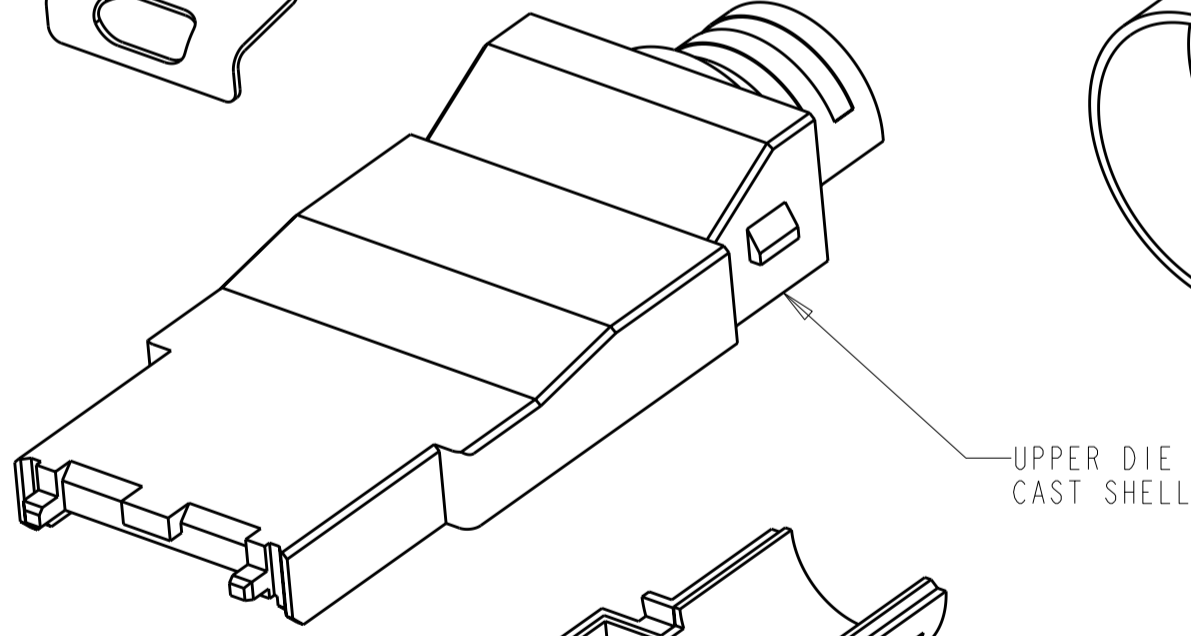
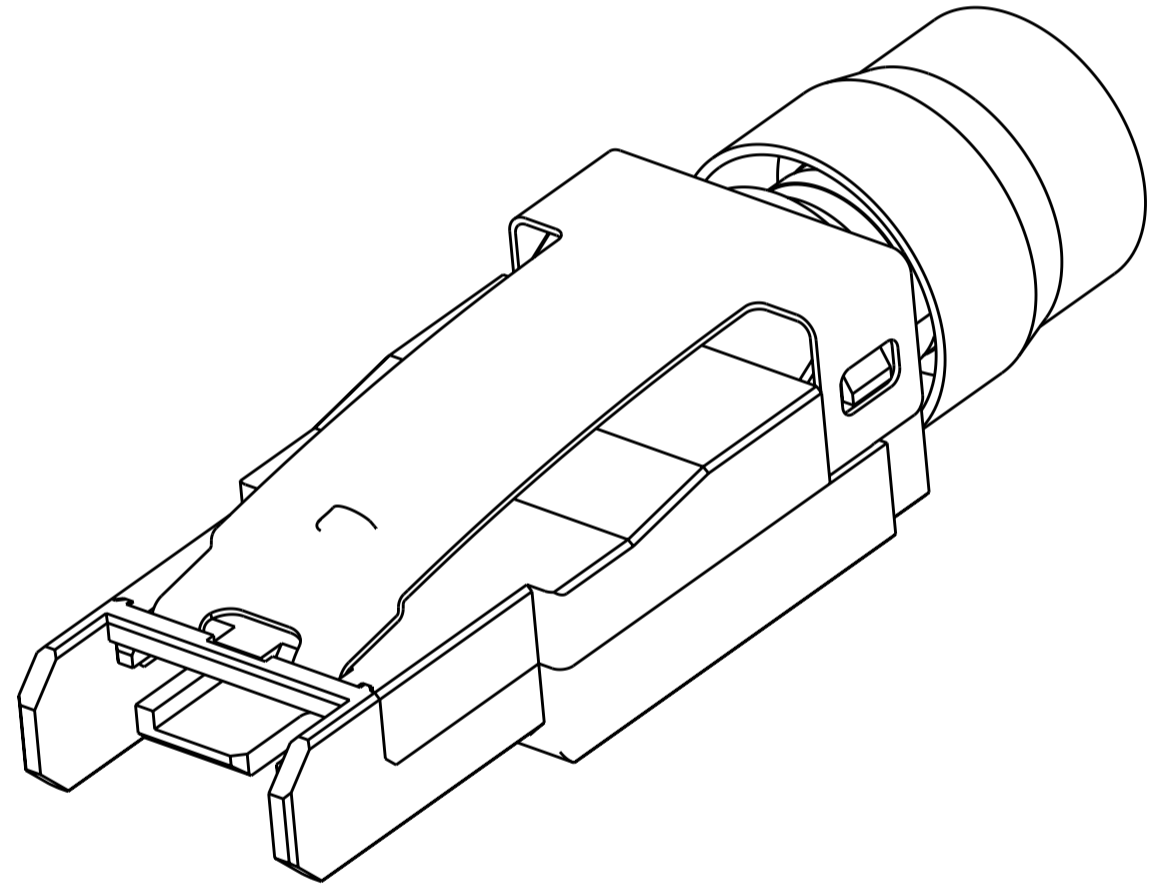
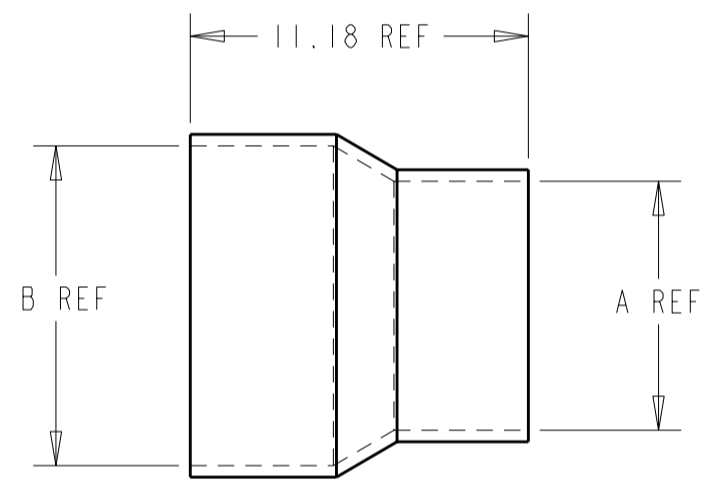
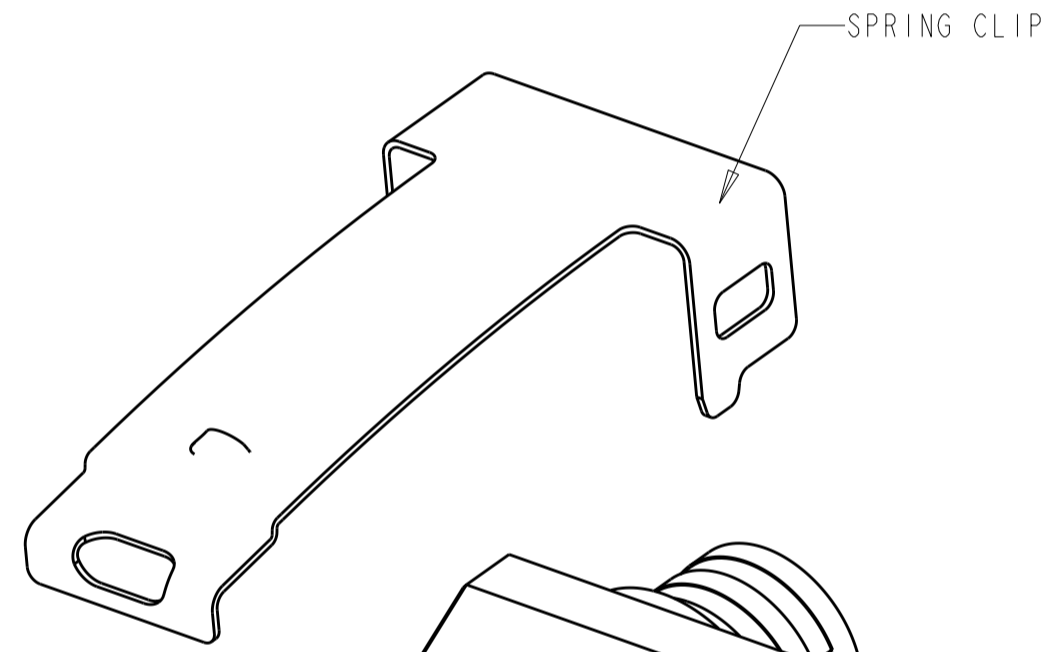


THIS DRAWING IS UNPUBLISHED. RELEASED FOR PUBLICATION 20
 © COPYRIGHT 20 BY TYCO ELECTRONICS CORPORATION. ALL RIGHTS RESERVED.

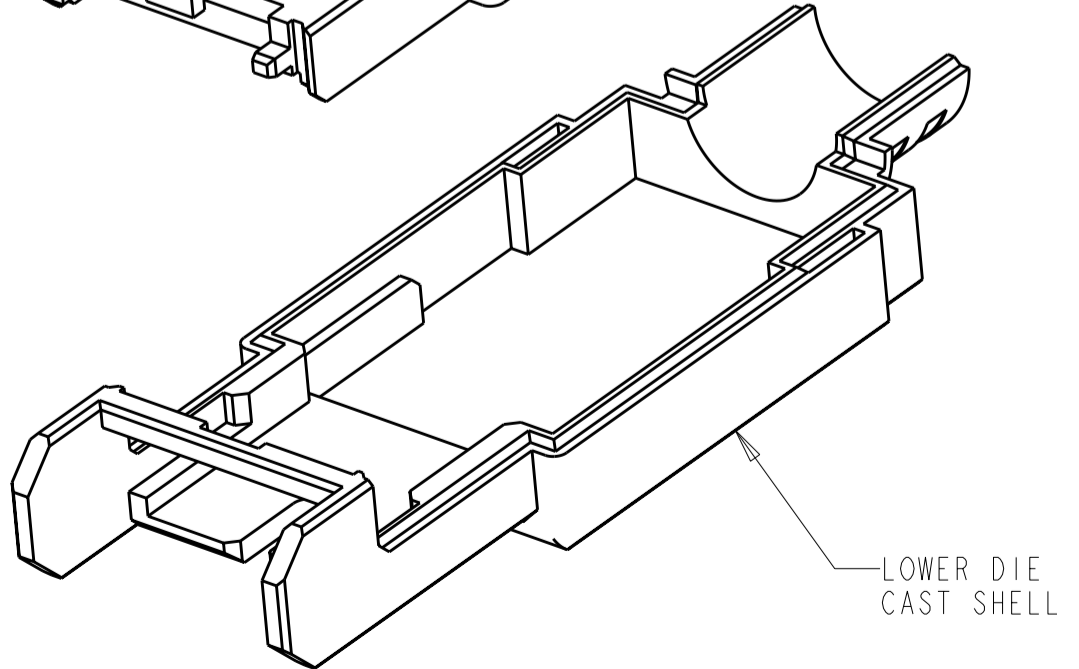
LOC	DIST	REVISIONS					
GP	00	P	LTR	DESCRIPTION	DATE	DWN	APVD
		01		REVISED PER EC 0S13-0253-05	18APR06	JG	JG
		A		REVISED PER ECO-06-003158	03MAY06	BM	SS
		AI		REVISED PER ECO-09-025699	09DEC2009	KK	HMR



- CABLE PLUG KIT DOES NOT INCLUDE CABLE, OVERMOLD, WIRE ORGANIZER OR PLUG PCB.
 - UPPER AND LOWER DIE CAST FINISH: 3-6 MICROMETERS MIN BRIGHT TIN OVER 1.27 MICROMETERS MIN NICKEL OVER 5.08 MICROMETERS MIN COPPER.
 - SPRING CLIP MATERIAL: PhBr. FINISH: 0.4 MICROMETERS MIN TIN.
 - BULK KIT PACKAGED, 1 PURCHASED PART NUMBER YIELDS 200 PLUG ASSEMBLIES.
- 5 BOTTOM VIEW OF PCB APPLIES ONLY TO 14 POSITION APPLICATIONS. PAD SIZE AND LOCATION SAME AS SHOWN ON TOP VIEW.
- 6 OBSOLETE PARTS: OBSOLETE CIS STREAMLINING PER D.RENAUD/D.SINISI



6	OBSOLETE	-	-	NO FERRULE LARGE CABLE EXIT	1761070-5
	OBSOLETE	9.53	11.10	Ø8.26-9.02	1761070-4
6	OBSOLETE	-	-	NO FERRULE SMALL CABLE EXIT	1761070-3
		6.25	9.07	Ø4.06-4.83	1761070-2
		7.62	9.07	Ø5.46-6.22	1761070-1
		A	B	RECOMMENDED CABLE Ø	PART NUMBER



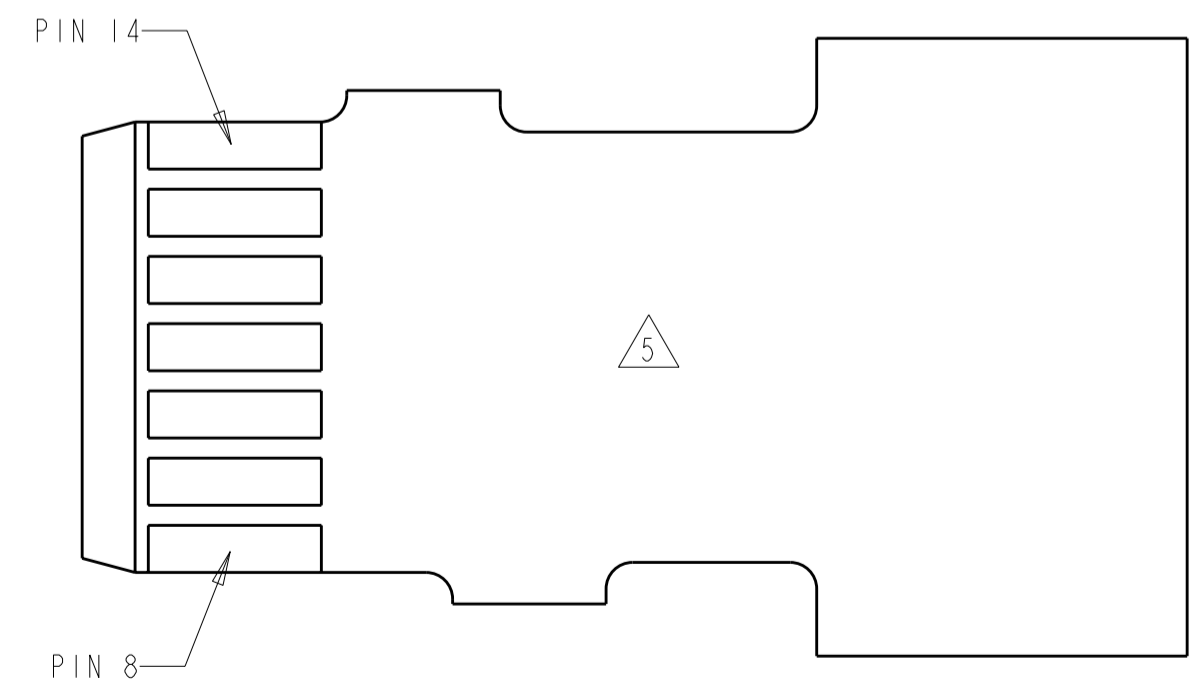
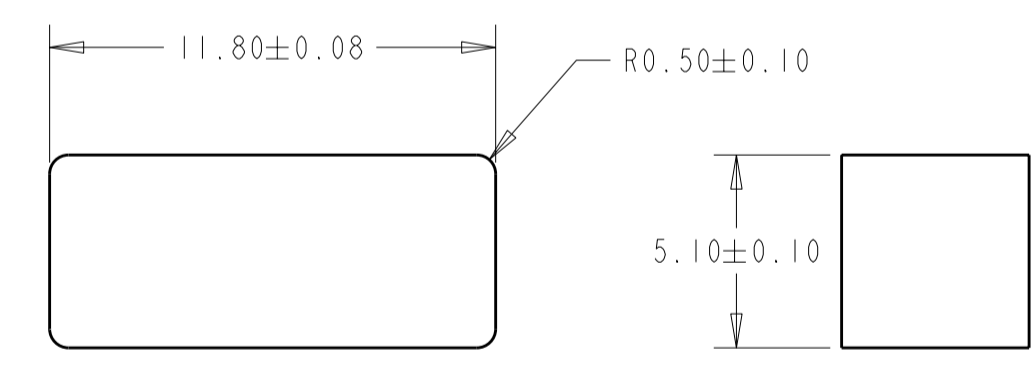
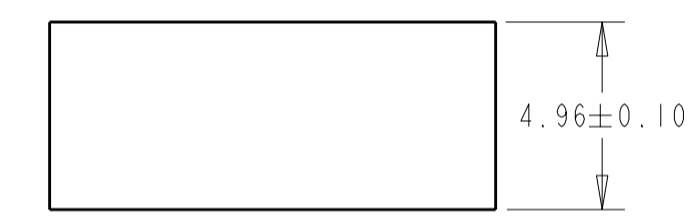
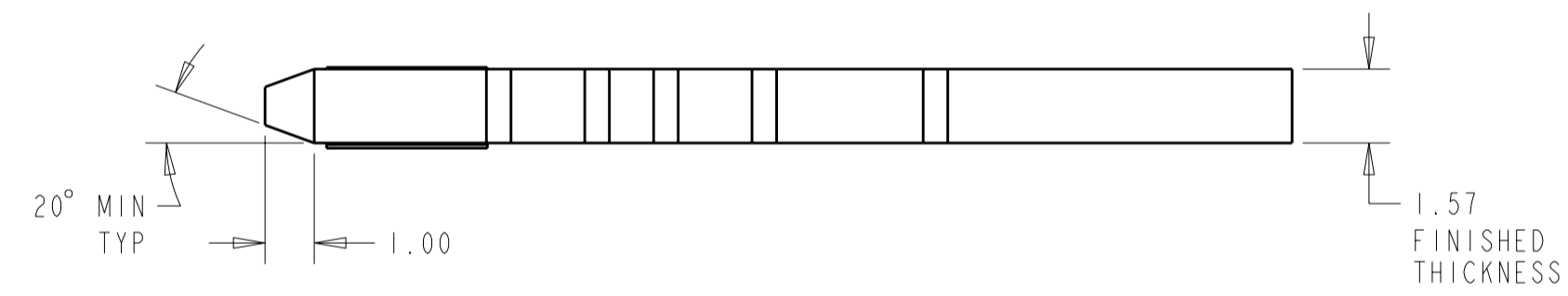
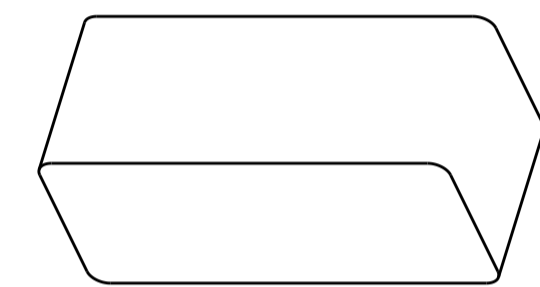
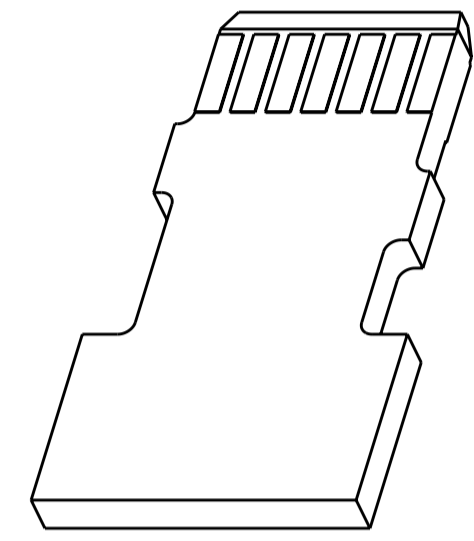
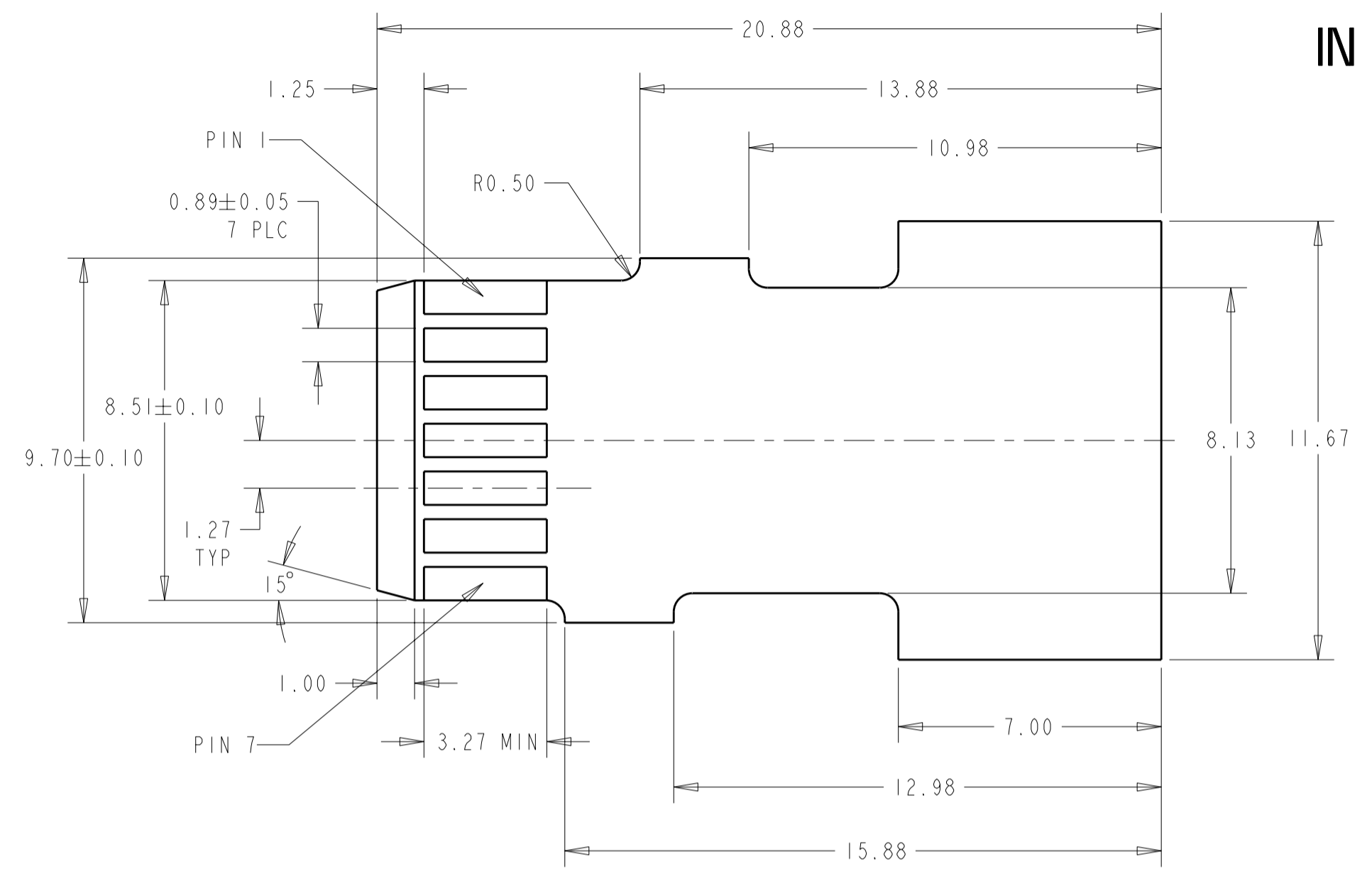
THIS DRAWING IS A CONTROLLED DOCUMENT FOR TYCO ELECTRONICS CORPORATION IT IS SUBJECT TO CHANGE AND THE CONTROLLING ENGINEERING ORGANIZATION SHOULD BE CONTACTED FOR THE LATEST REVISION.

DIMENSIONS:	TOLERANCES UNLESS OTHERWISE SPECIFIED:	DWN	J. GERACE	23APR04	Tyco Electronics Corporation Harrisburg, PA 17105-3608
mm	0 PLC ± 1 PLC ± 2 PLC ±0.13 3 PLC ± 4 PLC ±	CHK	C. ROHDE	23APR04	
	ANGLES ±2° FINISH	APVD	M. WALMSLEY	23APR04	NAME
MATERIAL		PRODUCT SPEC	108-1965	APPLICATION SPEC	KIT, HSSDC2 PLUG INFINIBAND
		WEIGHT	114-13097	SIZE	A2
		CUSTOMER DRAWING		CAGE CODE	00779
				DRAWING NO	1761070
				RESTRICTED TO	-
				SCALE	5:1
				SHEET	1 OF 2
				REV	A1

THIS DRAWING IS UNPUBLISHED. RELEASED FOR PUBLICATION 20
 © COPYRIGHT 20 BY TYCO ELECTRONICS CORPORATION. ALL RIGHTS RESERVED.

**PCB AND WIRE ORGANIZER
 ARE NOT INCLUDED
 IN THE CABLE PLUG KITS**

LOC	DIST	REVISIONS			
P	LTR	DESCRIPTION	DATE	DWN	APVD
GP	00	-	SEE SHEET 1	-	-



PCB PAD PLATING: 1.27µm MIN Au
 OVER 2.54µm MIN Ni

**PCB REFERENCE
 DIMENSIONS**

**WIRE ORGANIZER
 REFERENCE DIMENSIONS**

THIS DRAWING IS A CONTROLLED DOCUMENT FOR TYCO ELECTRONICS CORPORATION IT IS SUBJECT TO CHANGE AND THE CONTROLLING ENGINEERING ORGANIZATION SHOULD BE CONTACTED FOR THE LATEST REVISION.		DWN J. GERACE 23APR04	AMP Incorporated	
		CHK C. ROHDE 23APR04	Harrisburg, PA 17105-3608	
		APVD M. WALMSLEY 23APR04	NAME KIT, HSSDC2 PLUG INFINIBAND	
DIMENSIONS: mm		PRODUCT SPEC 108-1965	SIZE A2	RESTRICTED TO -
TOLERANCES UNLESS OTHERWISE SPECIFIED:		APPLICATION SPEC 114-13097	CAGE CODE 00779	DRAWING NO 1761070
0 PLC ±-		WEIGHT -	SCALE 5:1	SHEET 2 OF 2
1 PLC ±-		CUSTOMER DRAWING		
2 PLC ±0.13		REV A1		
3 PLC ±-				
4 PLC ±-				
ANGLES ±2°				
FINISH -				