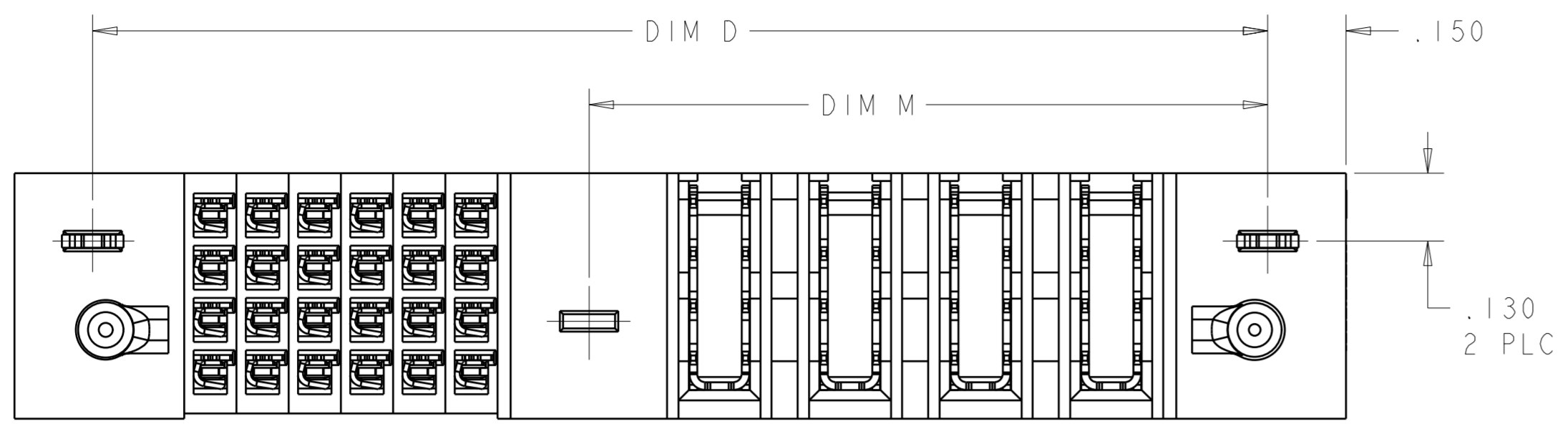
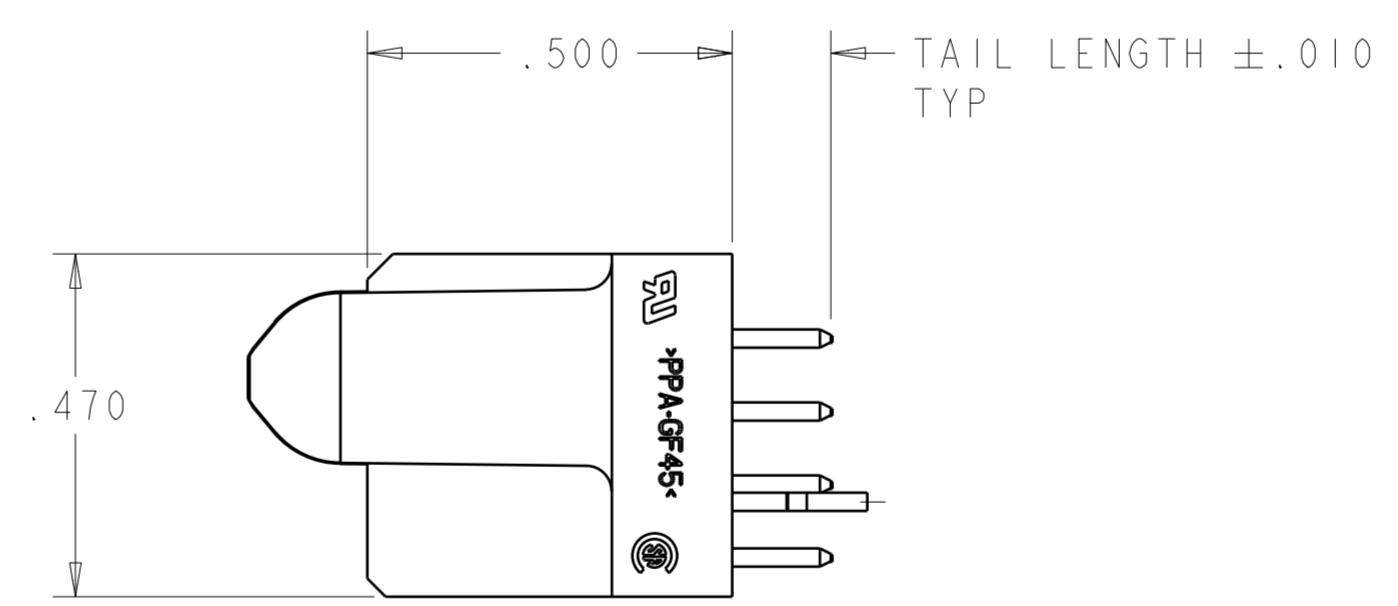
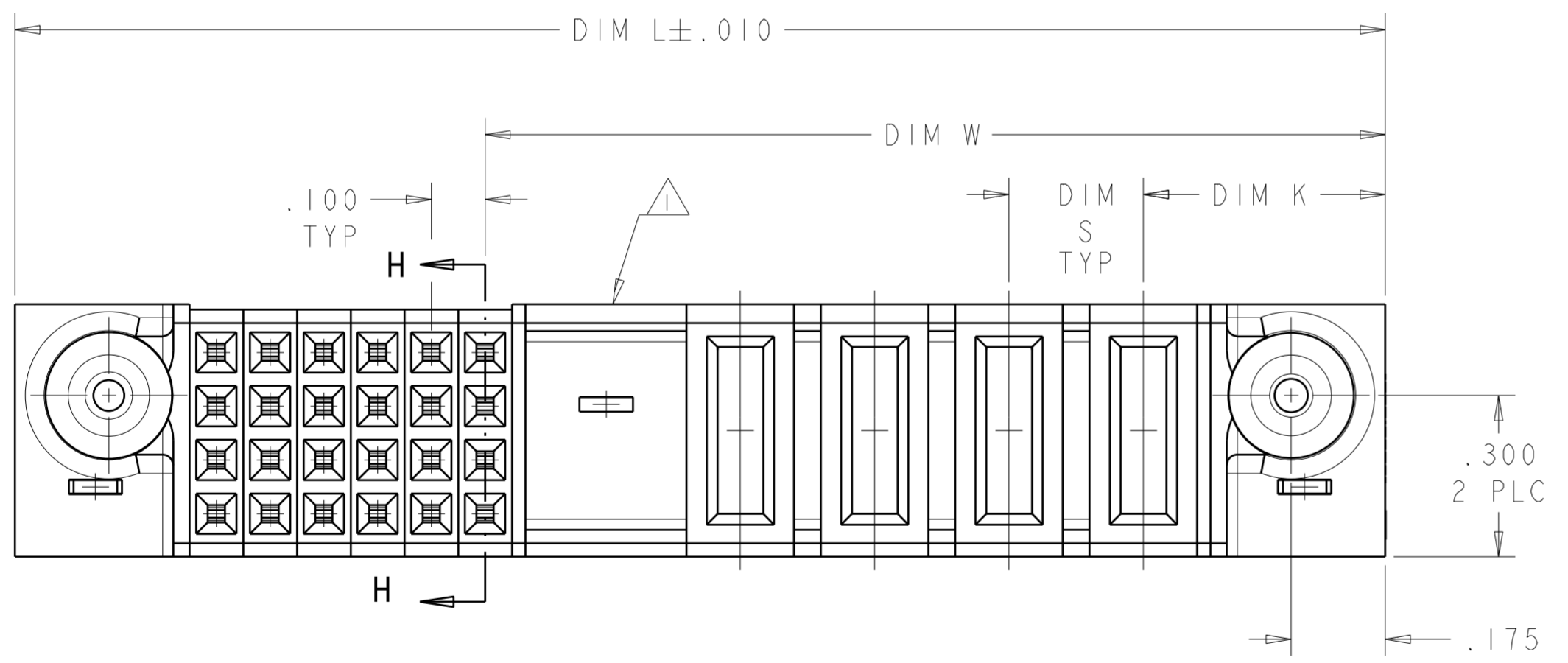
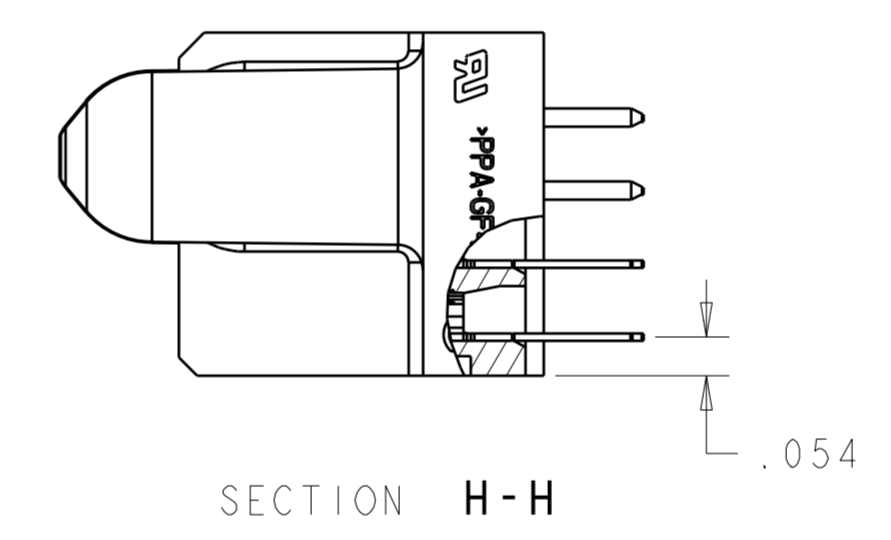
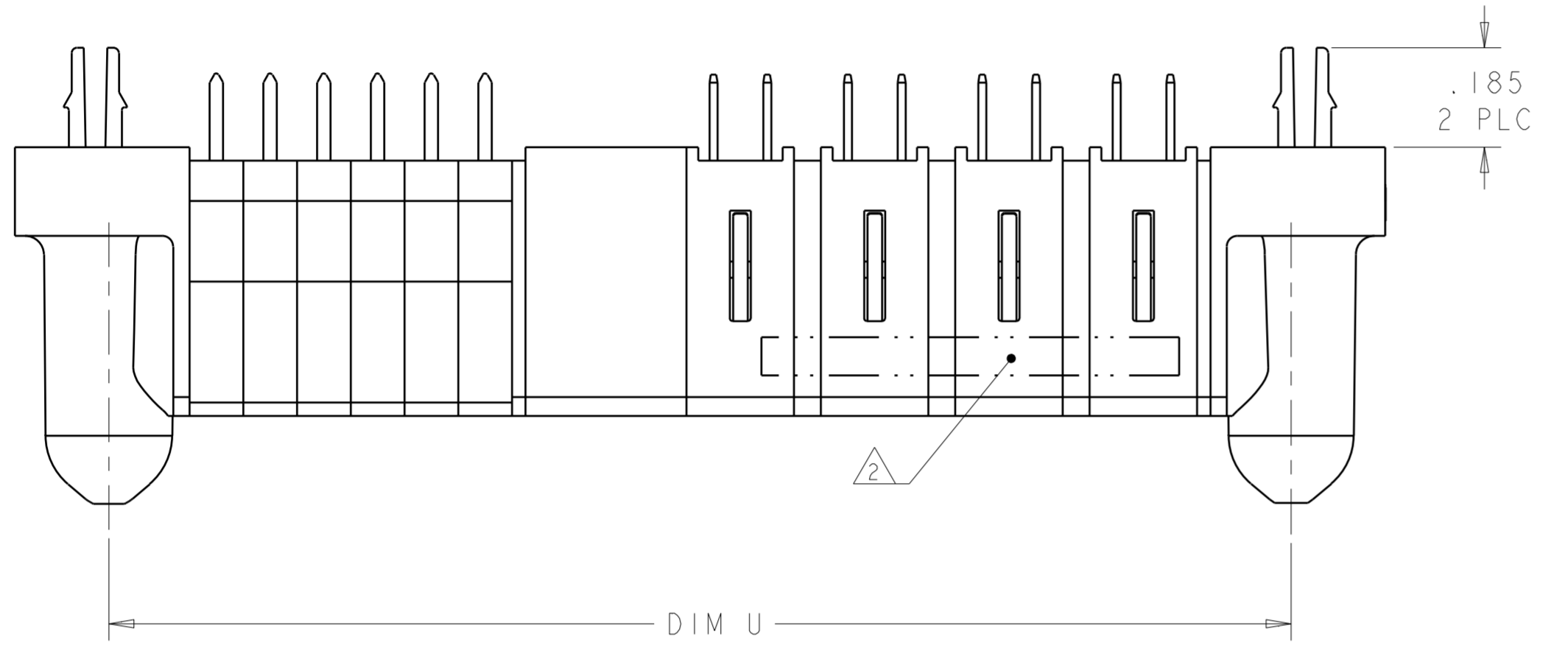


REV	DATE	DESCRIPTION	DATE	DWN	APP'D
A	22NOV2006	REV PER ECR-06-027562	22NOV2006	S.L.	S.Y.



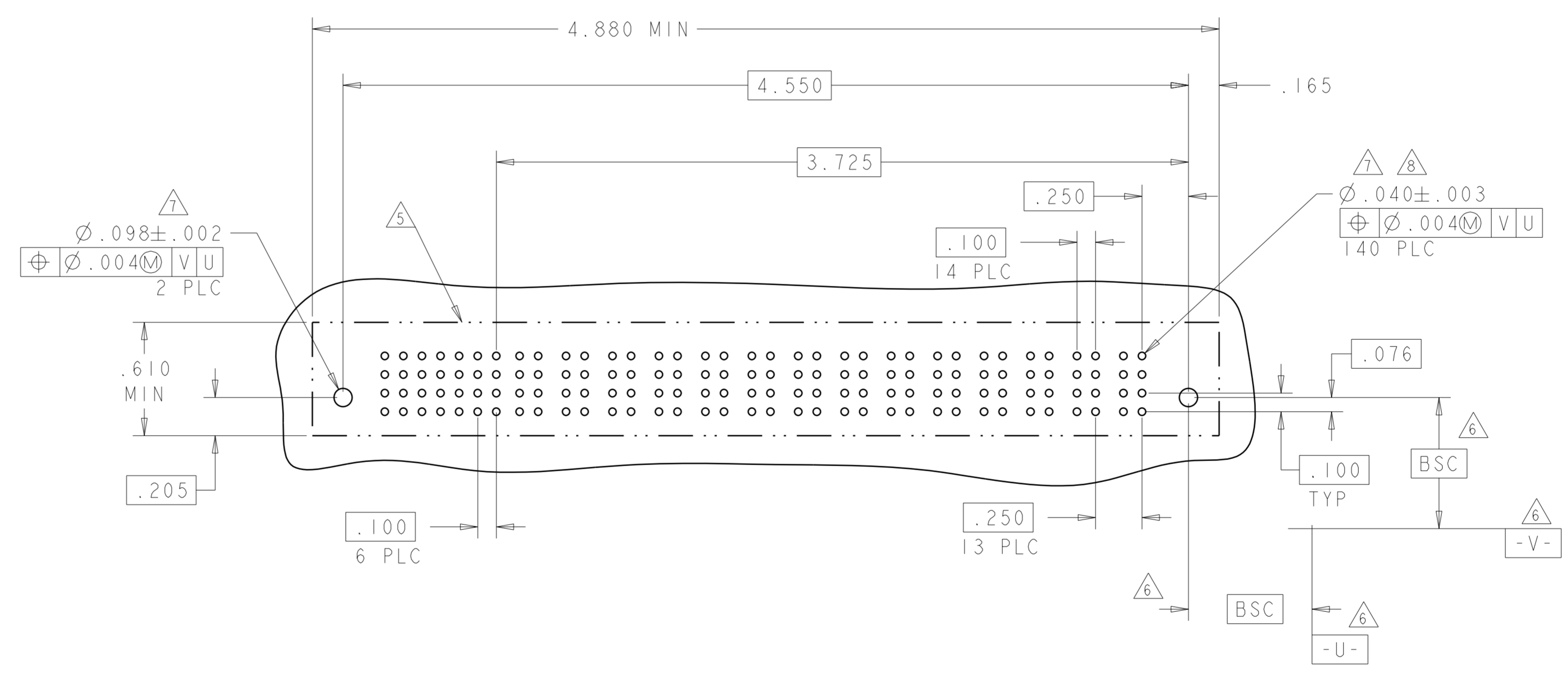
- △ OPTIONAL CENTER MODULE, WITH \varnothing .150 THRU HOLE OR HOLD DOWN FEATURE
- △ "AMP", PART NUMBER, AND DATE CODE TO BE MARKED IN AREA SHOWN.
- △ MATERIAL: HOUSING - GLASS FILLED HIGH TEMP THERMO PLASTIC, UL94 V-0
 SIGNAL CONTACT - HIGH CONDUCTIVITY COPPER ALLOY
 POWER CONTACT - HIGH CONDUCTIVITY COPPER ALLOY
- △ CONTACT PLATING: SIGNAL CONTACTS - .000050 MIN Ni UNDER ALL
 .000030 MIN Au ON CONTACT AREA
 .000100 MIN Sn at PCB INTERFACE
 POWER CONTACTS - .000050 MIN Ni UNDER ALL
 .000030 MIN Au ON CONTACT AREA
 .000100 MIN Sn AT PCB INTERFACE
- △ MECHANICAL CONNECTOR KEEP OUT ZONE
- △ DATUM AND BASIC DIMENSIONS ESTABLISHED BY CUSTOMER
- △ PCB - ALL HOLE DIAMETERS ARE FINISHED HOLE SIZES
- △ PCB - .0453 +/- .0010 DRILLED HOLES PLATED WITH .0003 MIN Sn
 OVER .001 TO .003 PLATING TO ACHIEVE A .040 DIA HOLE
 9 POWER CONTACT AREA LUBRICATED WITH LUBRICANT



4.500	.250	3.875	4.550	-	4.850	.450	14P + 28S	1892402-1
U	S	W	D	M	L	K	DESCRIPTION	PART NUMBER
DIMENSIONS:		TOLERANCES UNLESS OTHERWISE SPECIFIED:		DWN		NAME		
INCHES		0 PLC ±.01		Simon Li 22NOV06		Tyco Electronics		
1 PLC ±.01		1 PLC ±.01		CHK		Harrisburg, PA 17105-3608		
2 PLC ±.005		2 PLC ±.01		Simon Zhao 22NOV06		VERTICAL RECEPTACLE ASSEMBLY		
3 PLC ±.005		3 PLC ±.005		APVD		WITH GUIDES		
4 PLC ±.002		4 PLC ±.002		STEVEN YAO 22NOV06		MULTI-BEAM XL		
ANGLES		ANGLES		PRODUCT SPEC		SIZE		
MATERIAL		MATERIAL		108-1973		CAGE CODE		
FINISH		FINISH		APPLICATION SPEC		DRAWING NO		
3		4		114-13038		00779		
CUSTOMER DRAWING		CUSTOMER DRAWING		WEIGHT		SCALE		
				-		4:1		
				-		SHEET		
				-		1 OF 2		
				-		REV		
				-		A		

LOC		DIST		REVISIONS			
ES	00	NO	DATE	DESCRIPTION	DATE	DWN	APVD
		-	-	SEE SHEET 1	-	-	-

ASSY PART NUMBER	ROWS	SIGNAL							POWER													
		7	6	5	4	3	2	1	P14	P13	P12	P11	P10	P9	P8	P7	P6	P5	P4	P3	P2	P1
1892402-1	D C B A	E	E	E	E	E	E	E	VA	VA	VM	VM	VM	VM	VM	VM	VM	VM	VM	VM	VA	VA
14P + 28S		E	E	E	E	E	E	E														



M	J	E
.165	.090	.135
A,B,C,D	A,B,C,D	A,B,C,D
CODE	TAIL LENGTH	ROW

CODE	TAIL LENGTH	DESCRIPTION
VB	.090	MFBL
VN	.090	STD
VC	.165	MFBL
VO	.165	STD
VA	.135	MFBL
VM	.135	STD
POWER CONTACT		

<small>TYCO ELECTRONICS IS A REGISTERED MEMBER OF THE INTERNATIONAL ORGANIZATION OF ELECTRICAL ENGINEERING SOCIETIES (IOE)</small> <small>TYCO ELECTRONICS IS A REGISTERED MEMBER OF THE INTERNATIONAL ORGANIZATION OF ELECTRICAL ENGINEERING SOCIETIES (IOE)</small>		DWN Simon Li 22NOV06 CHK Sunny Yoo 22NOV06 APVD Steven Yoo 22NOV06	tyco Electronics Tyco Electronics Harrisburg, PA 17105-3608
DIMENSIONS: INCHES 	TOLERANCES UNLESS OTHERWISE SPECIFIED: 0 PLC ±.01 1 PLC ±.01 2 PLC ±.01 3 PLC ±.005 4 PLC ±.002 ANGLES 45°	NAME PRODUCT SPEC APPLICATION SPEC	VERTICAL RECEPTACLE ASSEMBLY WITH GUIDES MULTI-BEAM XL SIZE CAGE CODE DRAWING NO A 00779 ©=1892402 SCALE 4:1 SHEET 2 OF 2 REV A
MATERIAL	FINISH	WEIGHT	CUSTOMER DRAWING