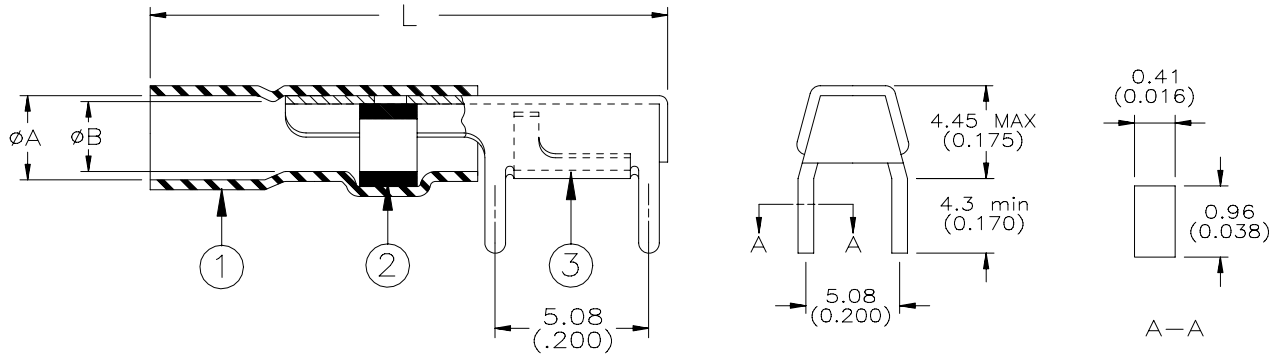


SPECIFICATION CONTROL DRAWING



Product Revision		Product Dimensions			Cable Dimensions		
Product Name		L max	ϕA min	ϕB min	ϕD max	ϕE min	ϕE max
D-607-20	D	23.0 (0.900)	5.20 (0.204)	4.7 (0.185)	4.7 (0.185)	2.4 (0.095)	3.3 (0.130)

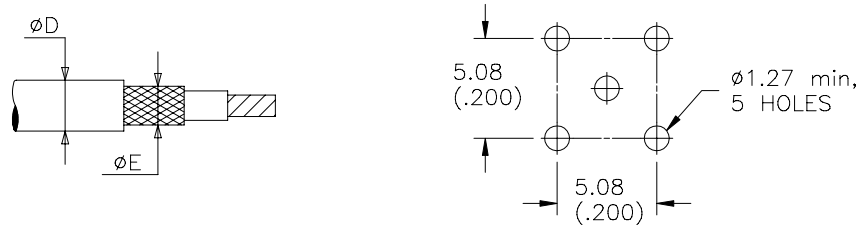
MATERIALS

- INSULATION SLEEVE: Heat-shrinkable, transparent blue, radiation cross-linked polyvinylidene fluoride.
- SOLDER PREFORM WITH FLUX:
 SOLDER: TYPE Sn63 per ANSI-J-STD-006.
 FLUX: TYPE ROL1 per ANSI-J-STD-004.
- TERMINATOR BODY: Base metal: Copper alloy.
 Plating: Tin/Lead solder.

APPLICATION

- This part is designed for use in attaching a shielded or coaxial cable to a PCB.
- Install using Raychem-approved convection or infrared tools in accordance with Raychem assembly procedure ES-61139.
- Temperature range: -55°C to +150°C.

For best results, prepare the cable as shown:



* A trademark of Raychem Corporation.

Raychem		THERMOFIT DEVICES		Raychem Corporation 300 Constitution Drive Menlo Park, CA 94025 USA		TITLE: SOLDERSLEEVE* PCB TERMINATOR			
UNLESS OTHERWISE SPECIFIED DIMENSIONS ARE IN MILLIMETERS. INCHES DIMENSIONS ARE BETWEEN BRACKETS.				DOCUMENT NO.: D-607-20					
TOLERANCES: 0.00 N/A 0.0 N/A 0 N/A		ANGLES: N/A		Raychem reserves the right to amend this drawing at any time. Users should evaluate the suitability of the product for their application.		DCR NUMBER: D981834		REPLACES: D961436	
		ROUGHNESS IN MICRON				DOC ISSUE: 3		SCALE: None	
DRAWN BY: M. FORONDA		DATE: 28-Oct-98		PROD. REV. SEE TABLE		SHEET: 1 of 1			

If this document is printed it becomes uncontrolled. Check for the latest revision.