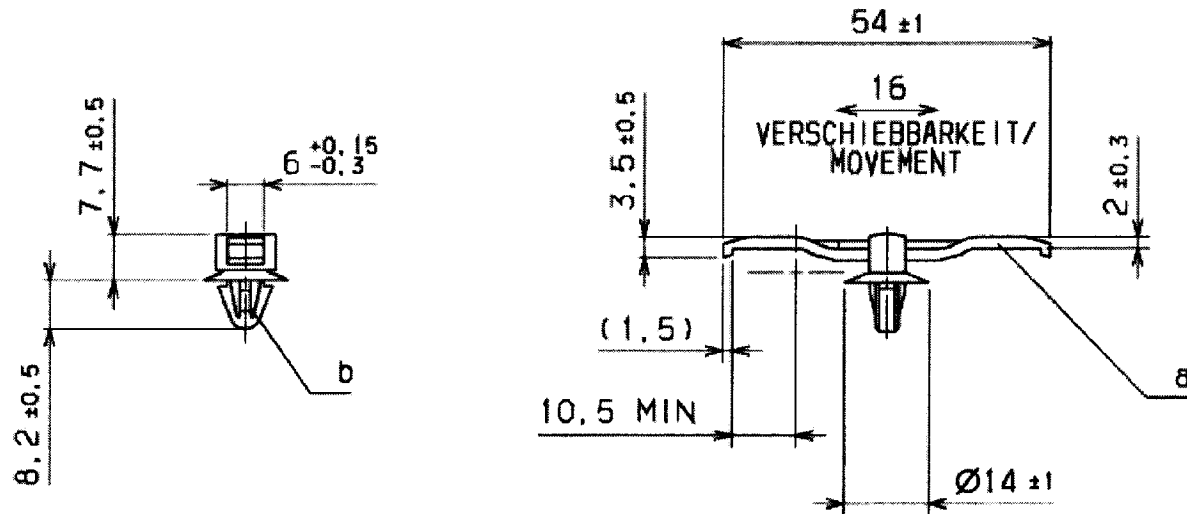


| Revision No.<br>变更数 | Revisions<br>变更事项 | Changed<br>修改者 | Date<br>日期 | Approved<br>确认者 | Date<br>日期 |
|---------------------|-------------------|----------------|------------|-----------------|------------|
|                     |                   |                |            |                 |            |



ØHOLE SIZE  
/适用孔径  
6.3-7.0mm

PANEL THICKNESS  
/适用板厚  
0.5-1.2mm

Standard Packing  
标准包装  
500根/袋, 20袋  
(共10000根)/箱  
500 Pcs/bag, 20 bags  
(Total 10000Pcs)/box

CHA1: 黑色/black  
CHA1.5: 绿色/green

EXAMPLE OF DESIGNATION  
/部件名称说明  
a) CH1  
b) CHM1

|  |   |  |                     |                                |                 |
|--|---|--|---------------------|--------------------------------|-----------------|
| Material/材料 :<br>CH1-尼龙66 (聚酰胺66)<br>66 Nylon (Polyamid 66)<br>CHM1-尼龙66 (聚酰胺66)<br>66 Nylon (Polyamid 66) | CAD   |  | Drawn/制图 HuangSheng | 20/SEP/2005                    | Scale/比例 NO /无  |
|  |   |  | Approved/审核 店传文     | 20/9/2005                      | Title/品名        |
| Dimension Units/尺寸单位<br>mm   | <p>the copyright of this drawing is reserved by HELLERMANN TYTON.<br/>it is issued on condition that it is not reproduced, copied or disclosed to a third party, either wholly or in part, without the consent of HELLERMANN TYTON.</p> <p><b>HellermannTyton</b><br/>海尔曼太通(无锡)电器配件有限公司<br/>(WUXI) Electrical Accessories Co., Ltd.<br/>Tel: +86-510-85282536<br/>Fax: +86-510-85280112</p> |  |                     | CHA1/CHA1.5                    |                 |
| PERFORMANCE /性能 SPECIFICATION /标准  |   |  |                     | Drawing-No/图号<br>QDQ201-00B-00 | Format/格式<br>A4 |