

# Industrial Relay Type RPY 3 10A Monostable



- High switching power
- Wide range of applications
- 10A switching capacity
- 3 pole configuration
- Flanged pins 5mm (0.20")
- DC coils from 6 to 220V
- AC coils from 6 to 380V
- Compliant with CE low voltage directive
- TÜV, UL, CSA approved

## Product Description

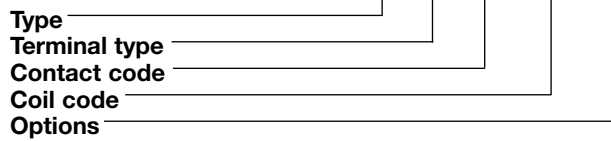
The RPY relay can be used for a wide range of industrial applications. Available in a 1, 2, 3, 4 pole change-over contact configuration. Its wide terminals allow reliability and big currents.

## Approvals



## Ordering Key

**RPY A 003 A24 DLT**



**Terminal type:** A= Plug in terminals, blades  
B= PCB terminals

Box content: 10 relays  
Box size: (W 240 x D 105 x H 38) mm Weight: 750g  
(W 9.45 x D 4.13 x H 1.50) inches Weight: 26.45oz

## Type Selection

Contact configuration	Contact rating	Contact code
3 change over contact (DPDT- 3 form C)	10A	003

## Coil Characteristics, DC @ +25°C (+77°F), coil power 1.4W

Coil Code	Nominal Voltage VDC	Pick-up Voltage VDC	Drop-out Voltage VDC	Max.Allowed Voltage VDC	Coil Current mA	Coil Resistance Ω
6	6	4.5	0.60	6.6	240	25
9	9	6.75	0.90	9.9	161	56
12	12	9	1.20	13.2	120	100
24	24	18	2.40	26.4	60	400
36	36	27	3.60	39.6	40	900
48	48	36	4.80	52.8	30	1600
110	110	82.5	11.0	121	13	8400
220	220	165	22.0	242	6.67	33000

## Coil Characteristics, AC @ +25°C (77°F), coil power 2VA

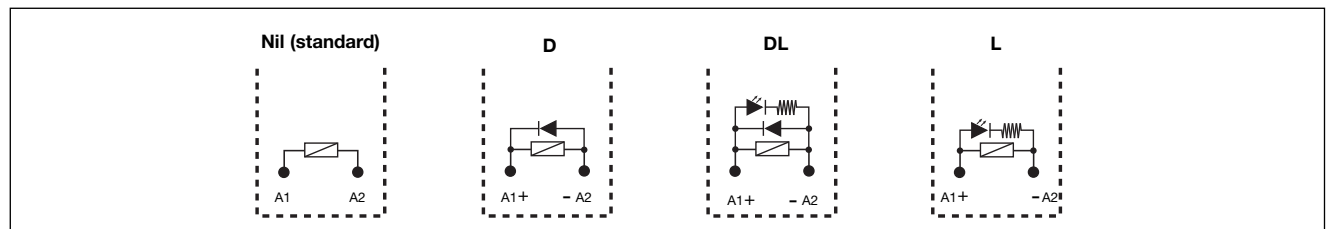
Coil Code	Nominal Voltage VAC	Pick-up Voltage VAC	Drop-out Voltage VAC	Max.Allowed Voltage VAC	Coil Current mA		Coil Resistance Ω
					50Hz	60Hz	
A6	6	4.8	1.8	6.6	330	280	6.5
A12	12	9.6	3.6	13.2	167	142	25.5
A24	24	19.2	7.2	26.4	83	70	102
A36	36	28.8	10.8	39.6	55	47	230
A48	48	38.4	14.4	52.8	42	36	410
A110	100/110	88	33.0	121	18	15	2300
A120	120	96	36.0	142	17	14.5	2700
A220	220	176	66.0	242	9	7.7	8600
A240	240	192	72.0	264	8.3	7	10000
A380	380	304	114	418	5.2	4.4	27500

## Options

Nil = Standard (Fig.1)  
D = Free Wheeling diode (DC coil only)  
F = Flange Mount (Fig.2)  
G = Gold Plated contacts

L = LED  
T = Test Button

**Note:**  
In case of more options use the alphabetical order for coding.  
LED and test button are not available on flange mount version



## Contact Characteristics

<b>Contact Rating</b> (With resistive load)	<b>10A - 250VAC</b>	<b>Max Switching Power</b>	<b>2500VA / 280W</b>
<b>Usually rating</b>	<b>10A-250VAC / 28VDC</b>	<b>Life</b>	
<b>Material</b>	<b>AgSnO<sub>2</sub>In<sub>2</sub>O<sub>3</sub></b>	Electrical life	<b>1x10<sup>5</sup> cycles (3600ops/h)</b>
<b>Contact Resistance</b>	<b>&lt;50mΩ</b>	Mechanical	<b>1x10<sup>7</sup> cycles (18000 ops/h)</b>
<b>Current</b>		<b>UL/CSA ratings</b>	<b>1/3Hp 120VAC</b>
Max. switching current	<b>10A</b>		<b>1/2Hp 240VAC</b>
Min. switching current	<b>10mA @ 12VDC</b>		<b>10A @ 30VDC</b>
Min. switching current G version	<b>1mA @ 6VDC</b>		<b>10A @ 250VAC</b>

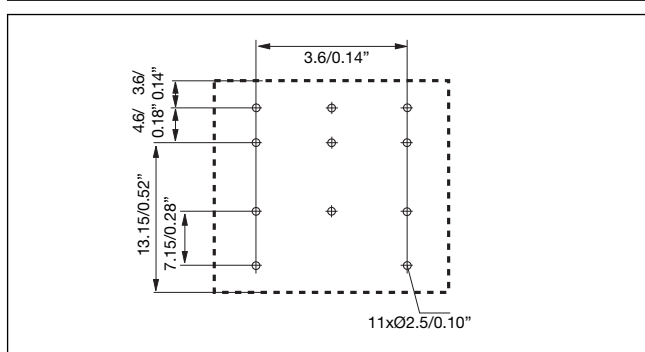
## Insulation

<b>Test voltage</b> (1min.)		<b>Insulation According to EN61810-5</b>	
Between coil and contacts	<b>2000VAC</b>	Rated insulation voltage	<b>250V</b>
Between open contacts	<b>1200VAC</b>	Impulsive insulation	<b>2kV</b>
Contact / contact	<b>1200VAC</b>	Overvoltage categor	<b>II</b>
<b>Insulation resistance</b>	<b>≥1000MΩ - 500V</b>		

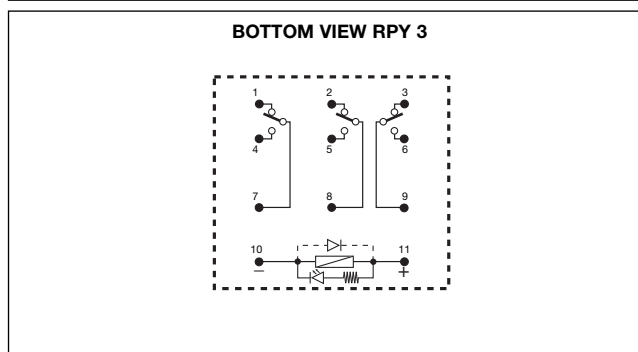
## General Data

<b>Nominal coil power</b>	<b>1.4W DC – 1.2VA AC</b>	<b>Vibration resistance</b>	<b>10 to 55Hz 1mm (0.04")</b>
<b>Operating time</b> (at nominal voltage)	<b>&lt;20ms</b>	<b>Shock resistance</b>	<b>Functional</b>
<b>Release time</b> (at nominal voltage)	<b>&lt;20ms</b>	<b>Termination</b>	<b>98m/s<sup>2</sup> (10G)</b>
<b>Ambient temperature</b>	<b>-25° to +55°C (-13° to +131°F)</b>	<b>Construction</b>	<b>Flanges (blades) 5mm (0.20")</b>
<b>Ambient humidity</b>	<b>35% to 85%</b>	<b>Weight</b>	<b>Dust cover</b>
			<b>50g (1.76oz)</b>

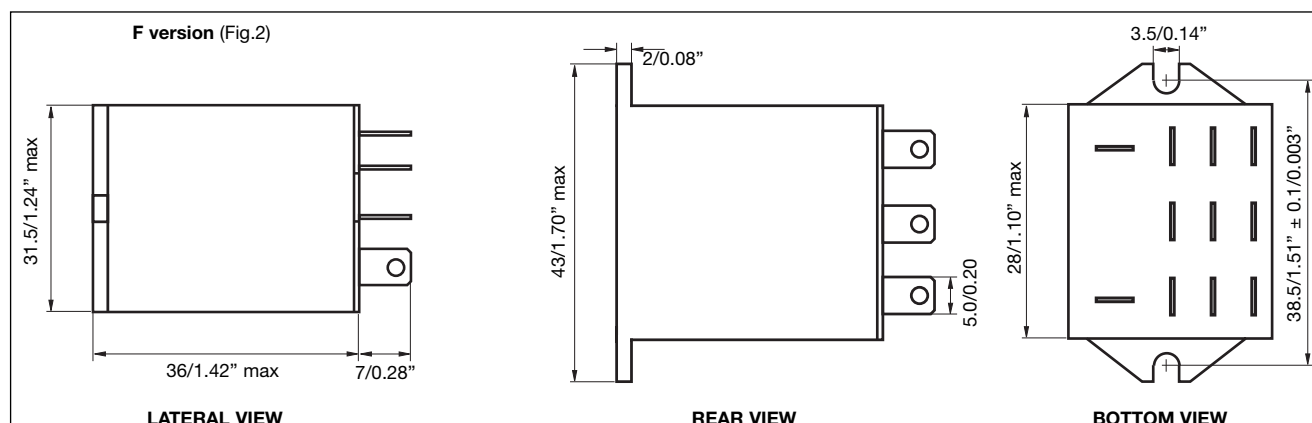
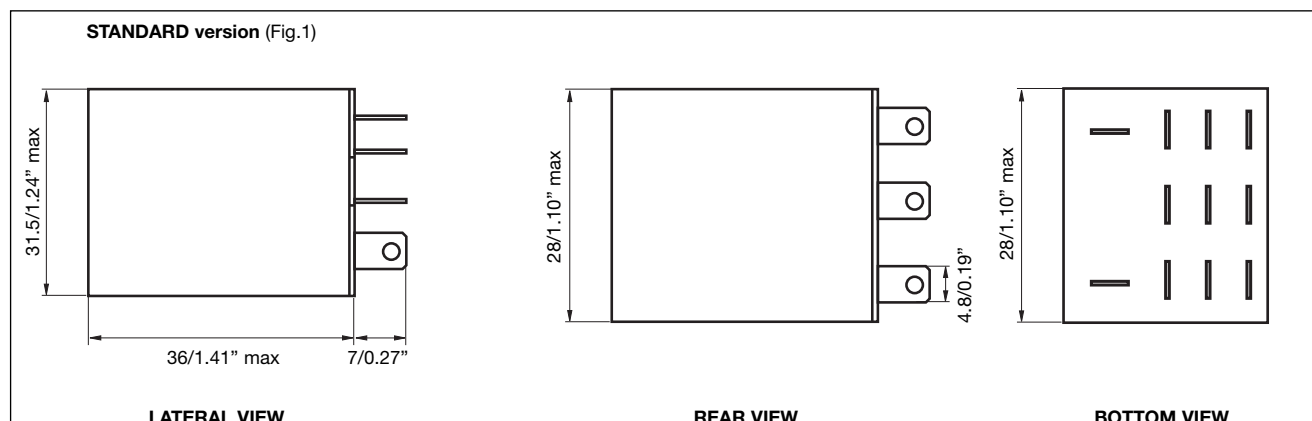
## Pin View mm/inches



## Wiring Diagram

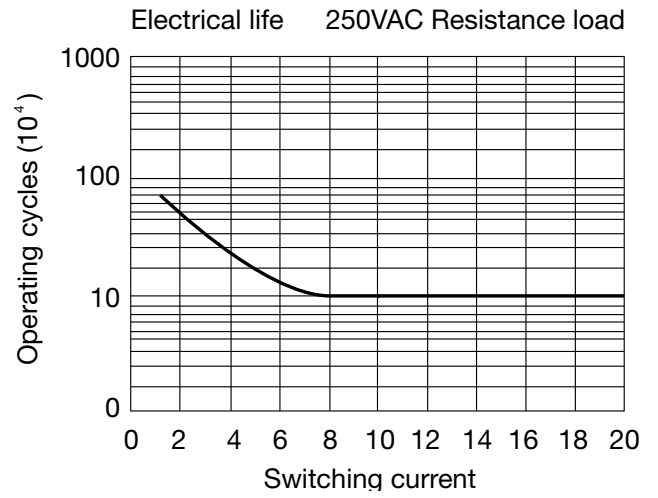
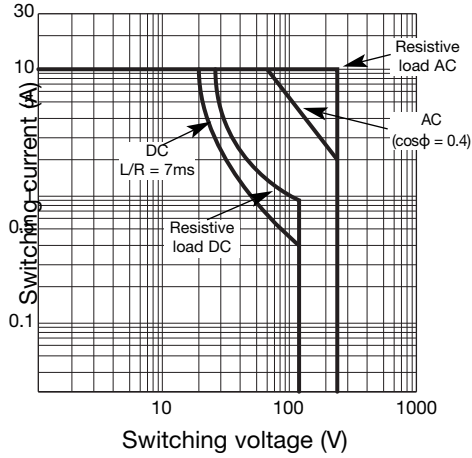


## Dimensions mm/inches

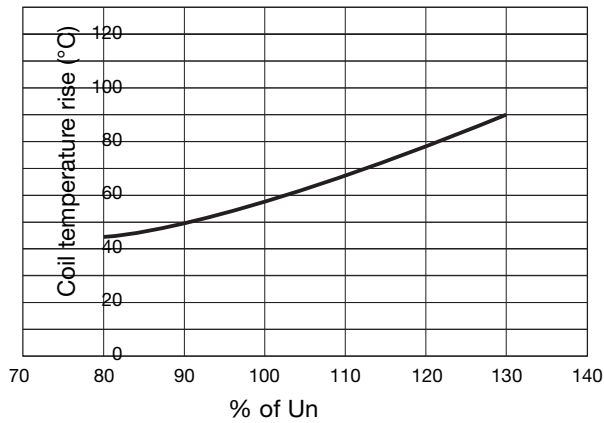


## Diagrams

### Max. switching current



### Temperature curve of coil



## Bases and Sockets

DIN rail sockets code is **ZPY11A** details and specifications on page 64 of industrial relays catalogue.