

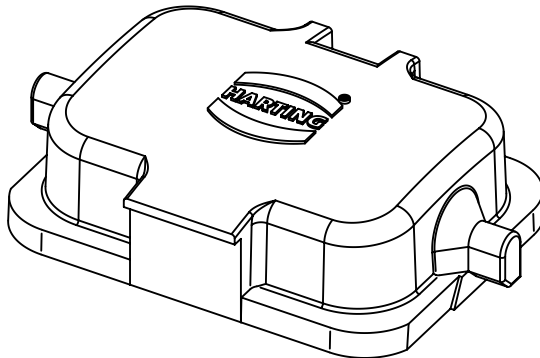
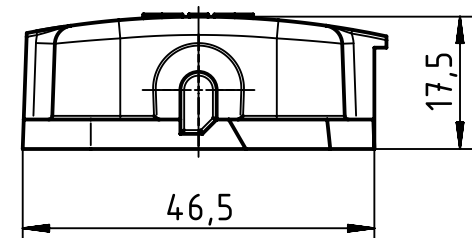
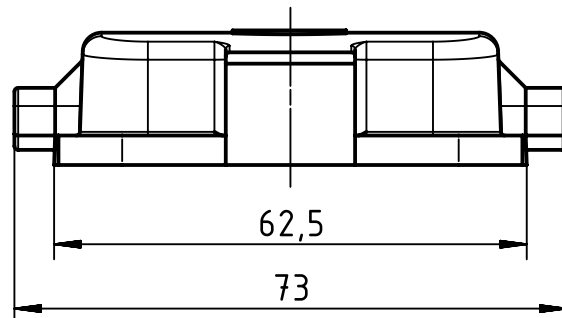
1 2 3 4 5 6

A

B

C

D



Coating	A=	mm ²	V=	mm ³	m=	g	Mat.
	All Dimensions in mm Original Size DIN A4		Scale 1:1	Free size tol.			Ref.
	All rights reserved Department EL PD - DE		Created by HARLASSK	Inspected by SCHNIEDER	Standardisation SCHMIDTM	Date 2015-05-04	State Final Release
HARTING Electric GmbH & Co. KG D-32339 Espelkamp			Title Han B Protect Cover Plast. for Easy-Lock				Doc-Key / ECM-Nr. 100621796/UGD/000/A 500000088820
			Type TB	Number 09 30 006 5404			Rev. A
						Page 1/1	