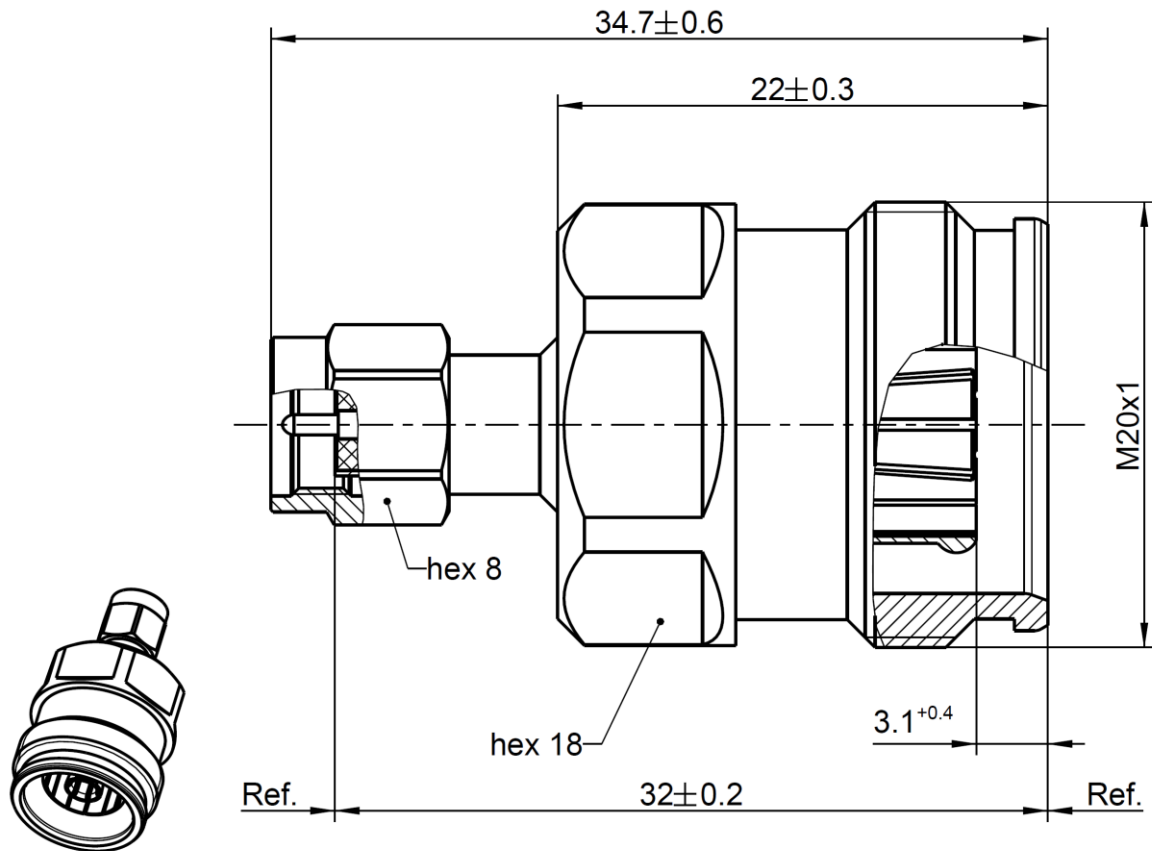


4.3-10
SMA

Adaptor
4.3-10 jack – SMA plug

32S164-K00N1



All dimensions are in mm; tolerances according to ISO 2768 m-H

Interface

According to 4.3-10 side: IEC 61169-54
SMA side: IEC 60169-15, EN 122110, MIL-STD-348

Documents

Assembly instruction N/A

Material and plating

Connector parts

Center contact	4.3-10 side:	CuBe	Plating
Center contact	SMA side:	Brass	Silver, 3-6 µm
Outer contact	4.3-10 side:	Brass	AuroDur®, gold plated
Body		Brass	Silver, 3-6 µm
Dielectric		PTFE	White bronze(e.g. Optalloy®)
Gasket		Silicone	

Dieses Dokument ist urheberrechtlich geschützt • This document is protected by copyright • Rosenberger Hochfrequenztechnik GmbH & Co. KG

RF_35/05.10/6.0

4.3-10
SMA

Adaptor
4.3-10 jack – SMA plug

32S164-K00N1

Electrical data

Impedance 50 Ω
 Frequency DC to 12 GHz
 Return loss ≥ 36 dB @ DC to 4 GHz
 ≥ 32 dB @ 4 GHz to 6 GHz
 Insertion loss ≤ 0.05 x √ f [GHz] dB
 Insulation resistance ≥ 5 GΩ
 Center contact resistance ≤ 1.0 mΩ, 4.3-10 side ≤ 3 mΩ, SMA side
 Outer contact resistance ≤ 1.0 mΩ, 4.3-10 side ≤ 2 mΩ, SMA side
 Test voltage 1000 V rms
 Working voltage 480 V rms
 RF-leakage ≥ 100 dB @ DC to 1 GHz
 Power handling (at 20 °C, sea level, VSWR 1.0) ≤ 200 W @ 2 GHz

Mechanical data

	4.3-10 side	SMA side
Mating cycles	≥ 100	min. 500
Recommended torque	5 Nm	0.8 – 1.1 Nm
Coupling nut retention	N/A	≥ 270 N

Environmental data

Temperature range -55 °C to +90 °C operating temperature
 Thermal shock IEC 61169-1 9.4.4
 Corrosion resistance ISO 21207 method B
 Vibration IEC 61169-1 9.3.3 and IEC 60068-2-64
 Shock IEC 61169-1 9.3.14
 Degree of protection (mated pair) IEC 60529, IP68 1h / 25m
 RoHS compliant

Tooling

N/A

Suitable cables

N/A

Weight

Weight 34.35 g/pce

While the information has been carefully compiled to the best of our knowledge, nothing is intended as representation or warranty on our part and no statement herein shall be construed as recommendation to infringe existing patents. In the effort to improve our products, we reserve the right to make changes judged to be necessary.

Draft	Date	Approved	Date	Rev.	Engineering change number	Name	Date
F. Fraunhofer	30.04.13	F. Fraunhofer	06.04.2018	a00	18-s143	Nobis A.	06.04.2018
Rosenberger Hochfrequenztechnik GmbH & Co. KG P.O.Box 1260 D-84526 Tittmoning Germany www.rosenberger.de					Tel. : +49 8684 18-0 Fax : +49 8684 18-499 Email : info@rosenberger.de		Page 2 / 2