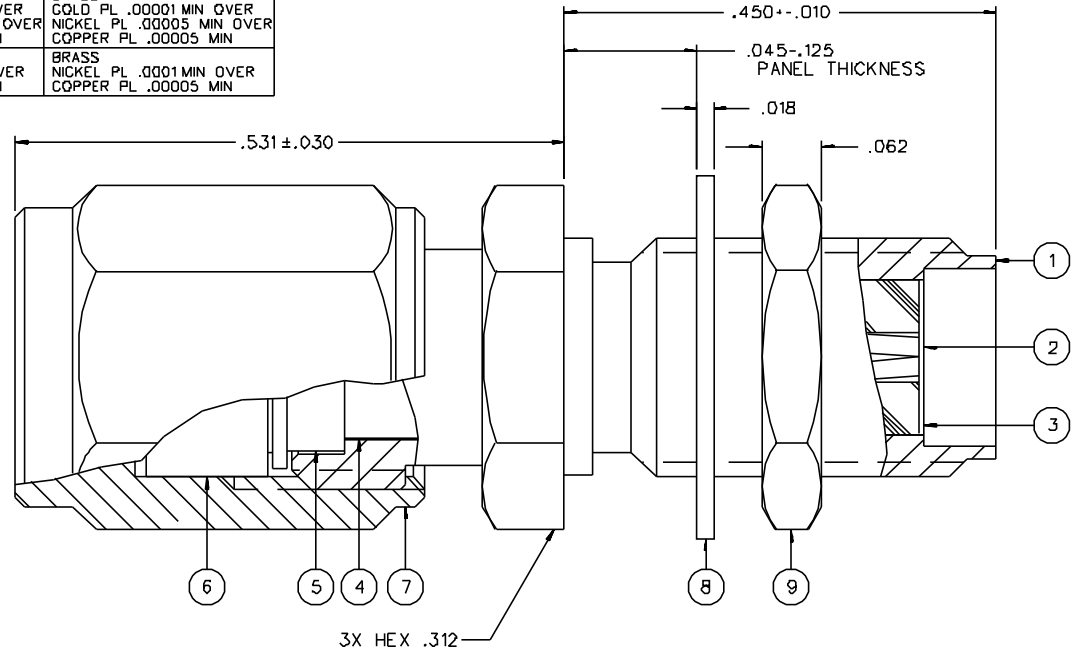


PART NUMBER	ITEM ① BODY	ITEM ② CONTACT	ITEM ③ INSULATOR	ITEM ④ INSULATOR	ITEM ⑤ CLAMP STEM	ITEM ⑥ CLAMP CONE	ITEM ⑦ CLAMP NUT
142-D107-401	BRASS GOLD PL .00001 MIN OVER NICKEL PL .00005 MIN OVER COPPER PL .00005 MIN	BERYLLIUM COPPER GOLD PL .00005 MIN OVER NICKEL PL .00005 MIN OVER COPPER PL .00005 MIN	TEFLON	TEFZEL	BRASS GOLD PL .00001 MIN OVER NICKEL PL .00005 MIN OVER COPPER PL .00005 MIN	BRASS GOLD PL .00001 MIN OVER NICKEL PL .00005 MIN OVER COPPER PL .00005 MIN	BRASS GOLD PL .00001 MIN OVER NICKEL PL .00005 MIN OVER COPPER PL .00005 MIN
142-D107-406	BRASS	BERYLLIUM COPPER GOLD PL .00005 MIN OVER NICKEL PL .00005 MIN OVER COPPER PL .00005 MIN	TEFLON	TEFZEL	BRASS NICKEL PL .0001 MIN OVER COPPER PL .00005 MIN	BRASS NICKEL PL .0001 MIN OVER COPPER PL .00005 MIN	BRASS NICKEL PL .0001 MIN OVER COPPER PL .00005 MIN

PART NUMBER	ITEM ⑧ FLAT WASHER	ITEM ⑨ NUT
142-D107-401	BRASS GOLD PL .00001 MIN OVER NICKEL PL .00005 MIN OVER COPPER PL .00005 MIN	BRASS GOLD PL .00001 MIN OVER NICKEL PL .00005 MIN OVER COPPER PL .00005 MIN
142-D107-406	BRASS NICKEL PL .0001 MIN OVER COPPER PL .00005 MIN	BRASS NICKEL PL .0001 MIN OVER COPPER PL .00005 MIN



NOTES:

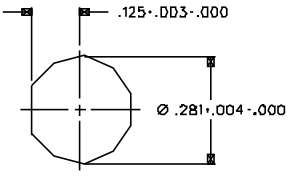
- SPECIFICATIONS:
 - IMPEDANCE: 50 OHMS
 - FREQUENCY RANGE: 0-12.4 GHz
 - VSWR: 1.15-.01 F MAX (F IN GHz)
 - WORKING VOLTAGE: 3.5 VRMS MAX AT SEA LEVEL
 - DIELECTRIC WITHSTANDING VOLTAGE: 1000 VRMS MIN AT SEA LEVEL
 - INSULATION RESISTANCE: 5000 MEGOHM MIN
 - CONTACT RESISTANCE:
 - CENTER CONTACT - INITIAL 3.0 MILLIOHM MAX, AFTER ENVIRONMENTAL 4.0 MILLIOHM MAX
 - OUTER CONDUCTOR - INITIAL 2.0 MILLIOHM MAX AFTER ENVIRONMENTAL NOT APPLICABLE
 - BODY TO CABLE - 0.5 MILLIOHM MAX (GOLD PLATED) 5.0 MILLIOHM MAX (NICKEL PLATED)
 - CORONA LEVEL: 250 VOLTS MIN AT 70,000 FEET
 - INSERTION LOSS: .08" F MAX (F IN GHz) AT 6 GHz
 - RF LEAKAGE: -60 DB MIN AT 2.5 GHz
 - RF HIGH POTENTIAL WITHSTANDING VOLTAGE: 670 VRMS MIN AT 4 AND 7 MHZ

MECHANICAL:

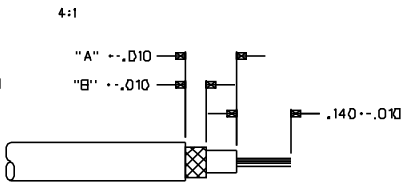
- ENGAGE/DISENGAGE TORQUE: 2 INCH-POUNDS MAX
- MATING TORQUE: 7-10 INCH POUNDS
- COUPLING PROOF TORQUE: NOT APPLICABLE
- COUPLING NUT RETENTION: NOT APPLICABLE
- CONTACT RETENTION: 6 LBS MIN AXIAL FORCE
- CABLE ACCEPTABILITY: RG 58 GROUP: RG 58/U, RG 303/U, RG 141/U, RG 142 GROUP: RG 142/U, RG 223/U, RG 400/U, RG 55/U
- CABLE HEX CRIMP SIZE: NOT APPLICABLE
- CABLE RETENTION: 40 LBS MIN AXIAL FORCE FOR SINGLE SHIELD, 45 LBS MIN AXIAL FORCE FOR DOUBLE SHIELD
- DURABILITY: 500 CYCLES MIN

ENVIRONMENTAL:

- (MEETS OR EXCEEDS THE APPLICABLE PARAGRAPH OF MIL-C-39012)
- THERMAL SHOCK: MIL-STD-202, METHOD 107, CONDITION B, EXCEPT -85 DEG C HIGH TEMP
- OPERATING TEMPERATURE: -65 DEG C TO 165 DEG C
- CORROSION: MIL-STD-202, METHOD 101, CONDITION B
- SHOCK: MIL-STD-202, METHOD 213, CONDITION I
- VIBRATION: ML-STD-202, METHOD 204, CONDITION D
- MOISTURE RESISTANCE: MIL-STD-202, METHOD 106



MOUNTING HOLE



CABLE STRIP DIMENSIONS

CABLE	"A"	"B"
RG 58 GROUP	.225	.145
RG 142 GROUP	.285	.165

DRAWING NO. C - 142-0107-401/410	
0 REVISIONS	
ENGINEERING RELEASE	
1 9-5-90	9-17-90 ECN 24897
CHANGED: DIM "A" .225 WAS .133 & .265 WAS .230. DIM "B" .145 WAS .053 RG 58 AND 150 RG 142 RF LEAK 2.5 GHz WAS 2 TO 3 GHz, RF HIGH POT 4 & 7 MHz WAS 5 TO 7.5 MHz	
2 6-25-92	7-22-96 ECN 40949
CHANGED: STRIP DIMENSION .285 WAS .265 AND .165 WAS .145	
* REVISION NUMBER FOLLOWED BY AN ALPHA *	
* CHARACTER INDICATED DRAWING CLEAR *	
* CAUTION ON PART NUMBER ADDITION ONLY *	
2a 9-10-96	ECN 44276

CUSTOMER DRAWING

THIS DRAWING TO BE INTERPRETED PER ANSI Y 14.5M - 1982

"µSTATION"

COMPANY CONFIDENTIAL

TOLERANCE UNLESS OTHERWISE SPECIFIED	DRAWN BY EJ	DATE 6-14-9D		
DECIMALS .XX	CHECKED BY	DATE	TITLE JACK ASSEMBLY, STRAIGHT CABLED BULKHEAD SMA, RG 58, 142	
.XXX REF	APPROVED BY TAK	DATE 9-5-90	CODE NO.	DRAWING NO. C - 142-0107-401/410
MATL	APPROVED BY RJE	DATE 9-14-9D	SCALE 10:1	U/M INCH SHEET 2 OF 2
FINISH	RELEASE DATE	9-17-90		

Cinch Connectivity Solutions
299 Johnson Ave. Ste. 100
Waukegan, MN 56093
1-800-247-8256