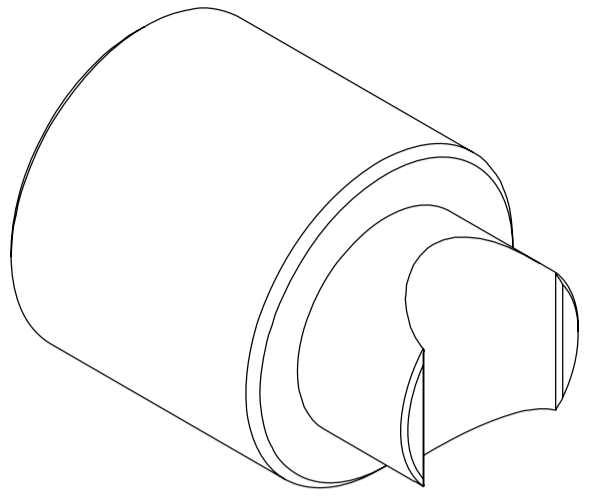
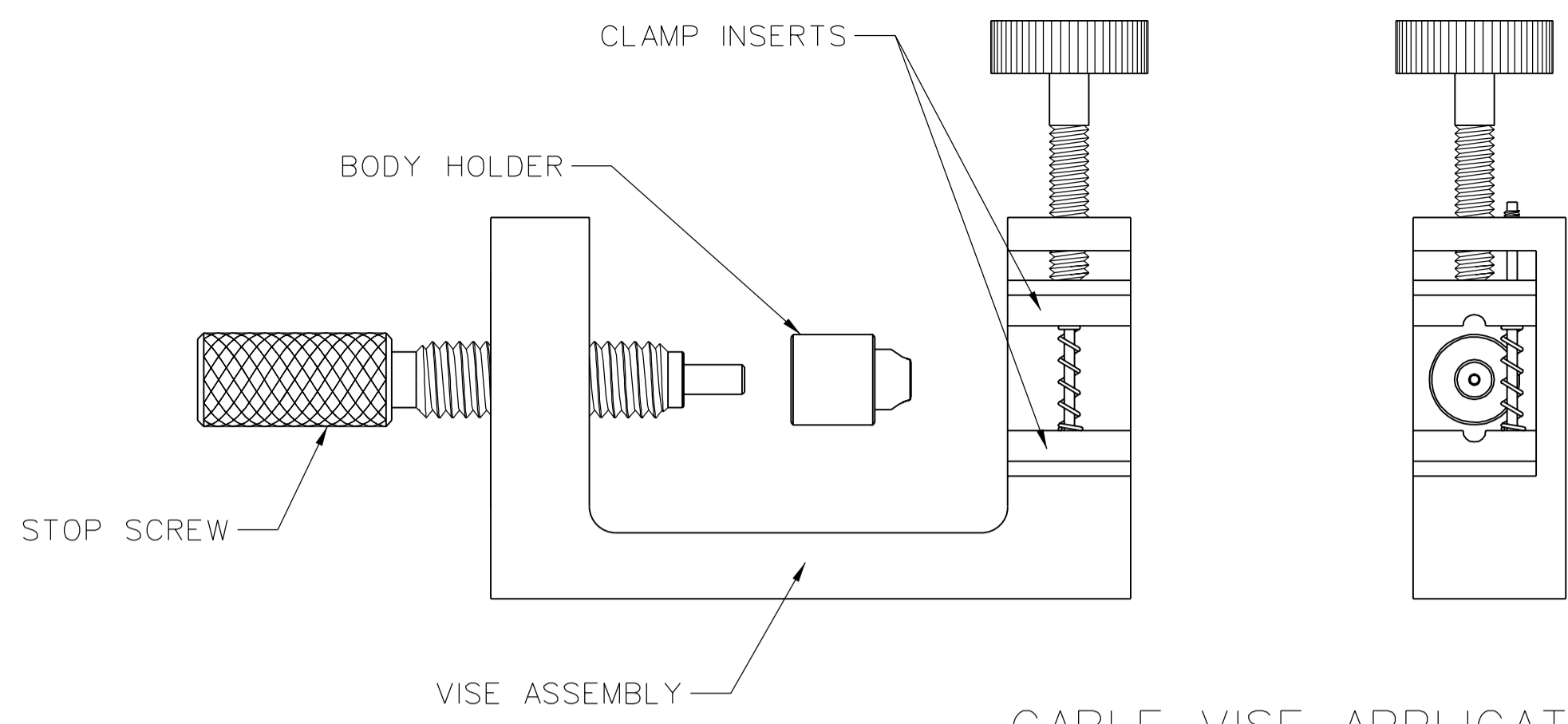


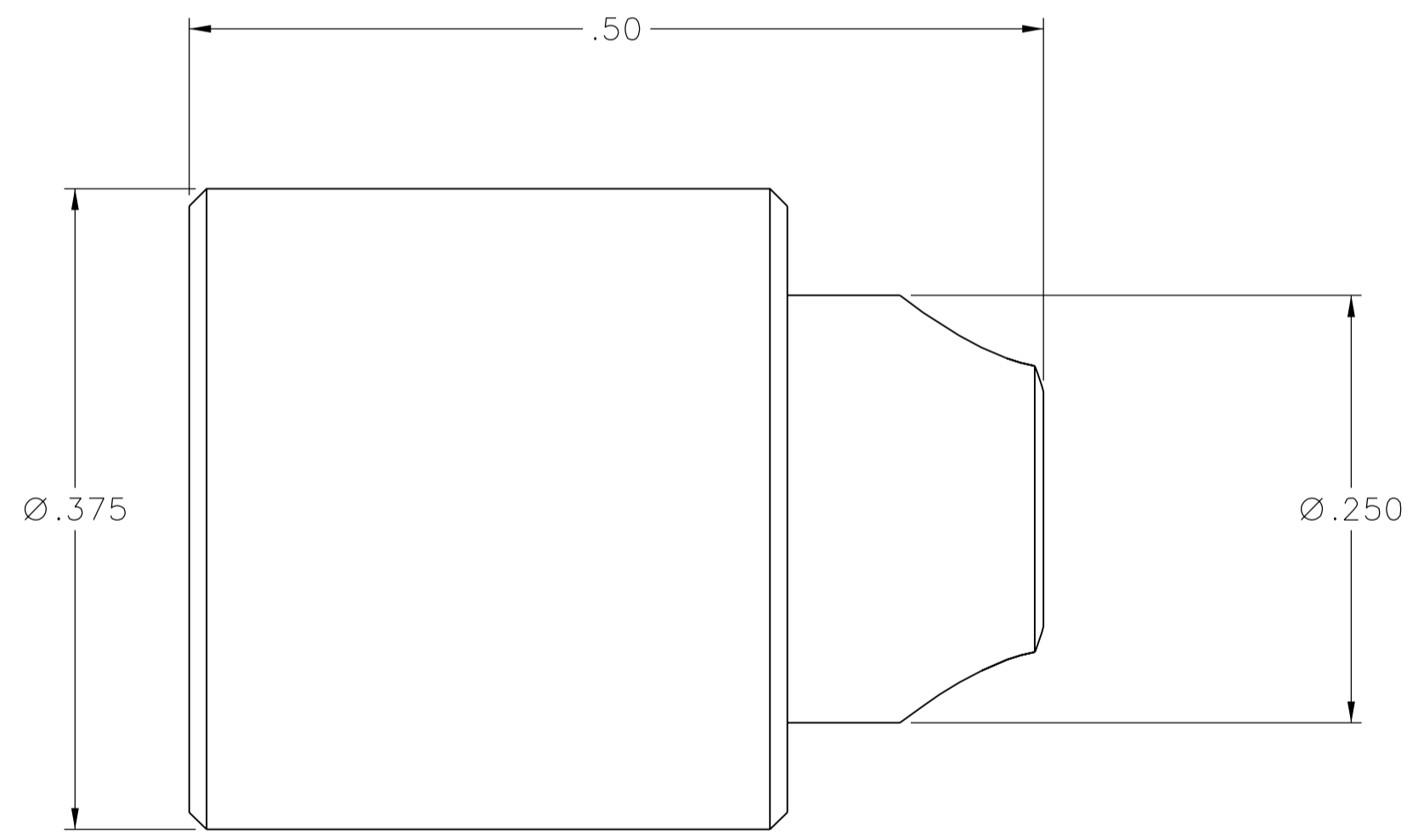
PART NUMBER 127-0000-904	MATERIAL STAINLESS STEEL PASSIVATED
-----------------------------	---



5:1



CABLE VISE APPLICATION  
1.5:1 (FOR REFERENCE ONLY)



DRAWING NO. C - 127-0000-904	
0	REVISIONS
ENGINEERING RELEASE	
1	5-29-07 PAT 5-30-07 JRK 5-30-07 PDW 5-30-07 JCN 5-30-07 ECN 51052

THIS DRAWING TO BE INTERPRETED  
PER ASME Y 14.5M - 1994

"μSTATION"

COMPANY CONFIDENTIAL

TOLERANCE UNLESS OTHERWISE SPECIFIED		DRAWN BY PAT	DATE 4-16-07
DECIMALS	mm	CHECKED BY JRK	DATE 5-29-07
.XX ±.01	_____	APPROVED BY PDW	DATE 5-29-07
.XXX ±.003	_____	RELEASE DATE	5-30-07
MATL	_____	U/M	INCH
FINISH	_____	SCALE	10:1

	<b>Cinch</b> CONNECTIVITY SOLUTIONS a bel group	Cinch Connectivity Solutions P.O. Box 1732 Waseca, MN 56093 1-800-247-8256
	TITLE SMP RIGHT ANGLE CABLED CONNECTOR BODY HOLDER TOOL	
SHEET 2 OF 2	DRAWING NO. C - 127-0000-904	