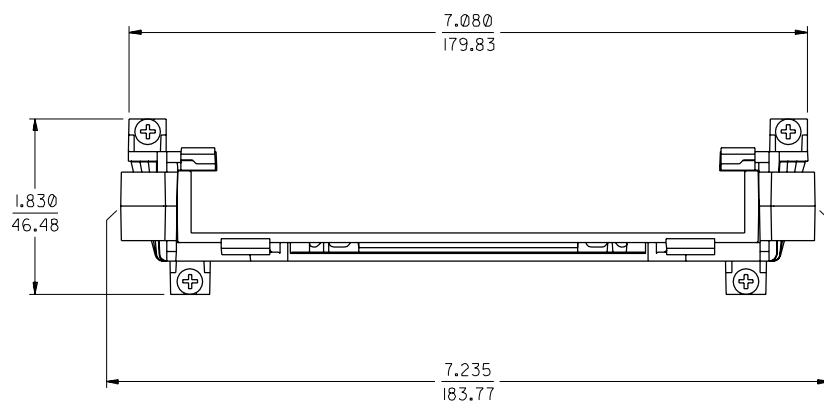


NOTES:

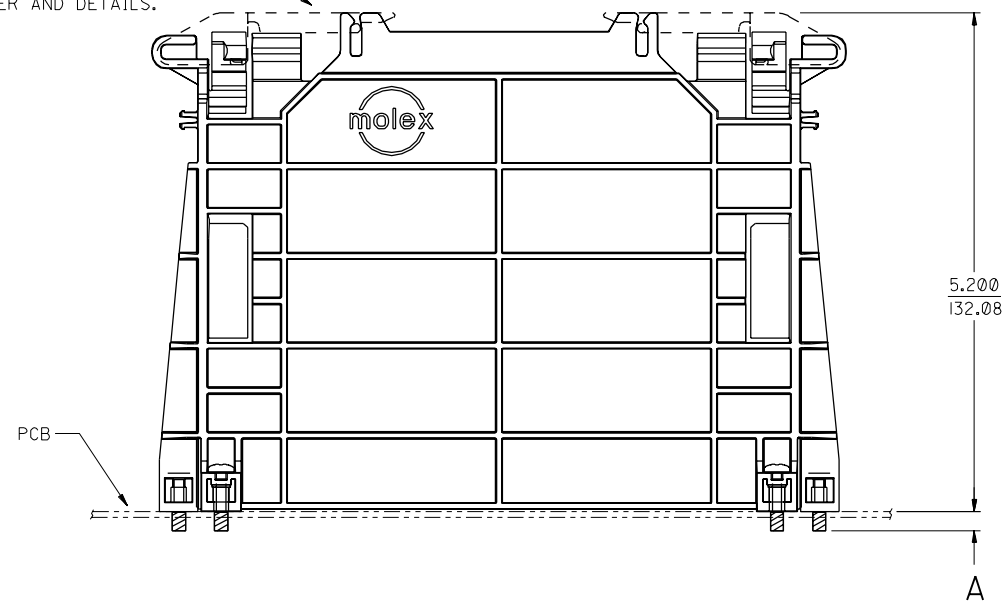
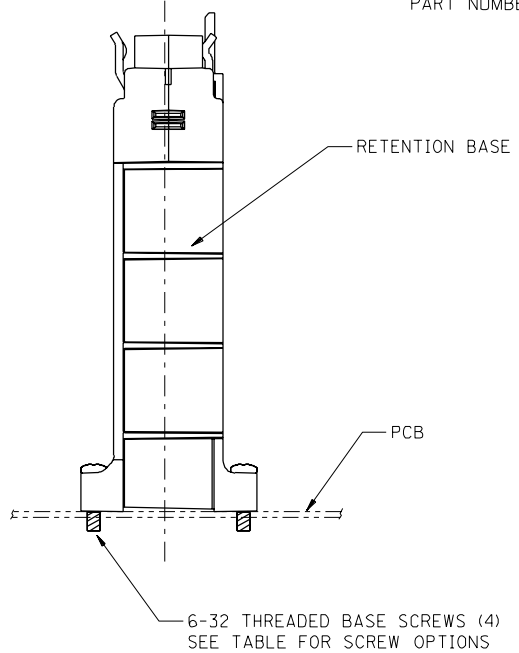
1. MATERIALS:
 BASE SCREWS - STEEL
 ALL OTHERS - THERMOPLASTIC
 COLOR: BLACK
2. FINISH: BASE SCREWS - NI PLATED
3. PRODUCT SPECIFICATION: PS-73940-999
4. APPLICATION SPECIFICATION: AS-73940-997
5. THIS HARDWARE PACKAGE IS FOR USE WITH MOLEX SLOT 2 CONNECTOR AND INTEL PENTIUM II XEON (DS2P) CARTRIDGE.
6. SEE SHEET 2 FOR PC BOARD HOLE PATTERN AND EXPLODED ASSEMBLY VIEW.



← THERMAL PLATE SIDE OF CARTRIDGE

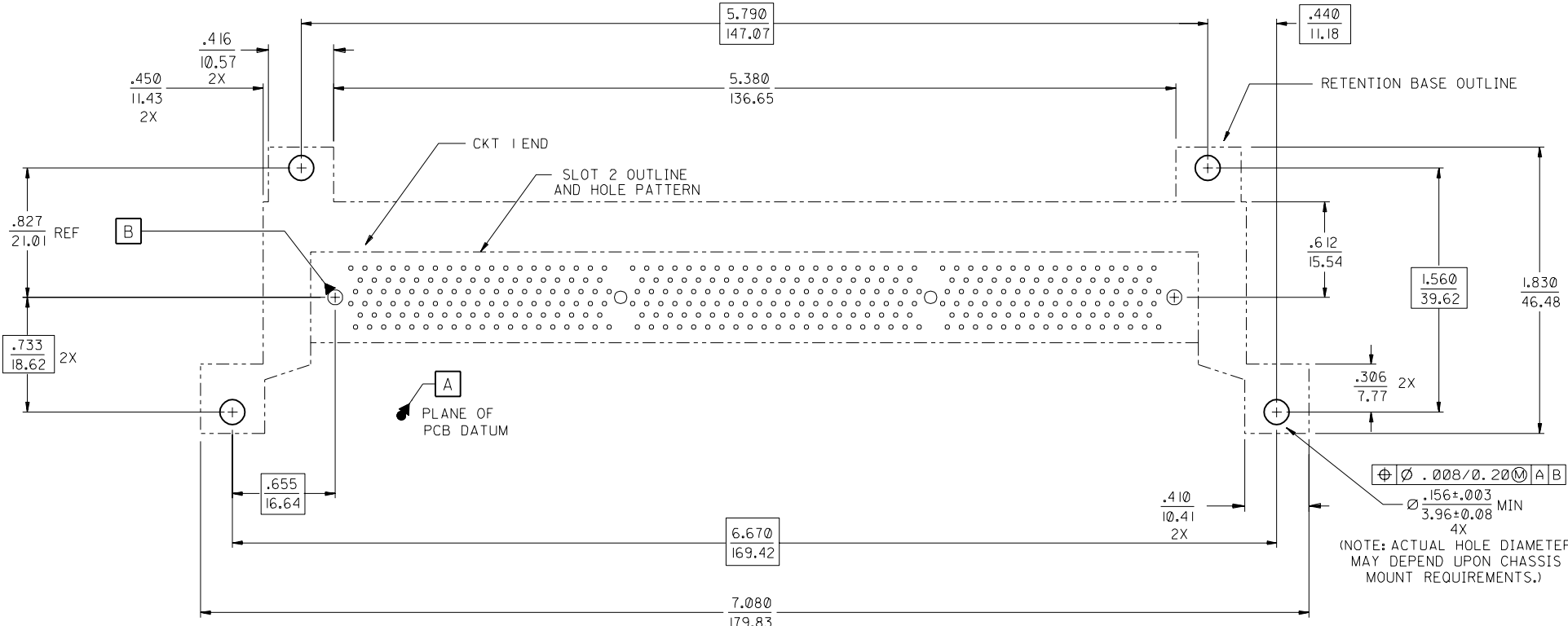
CL OF CONNECTOR

LATCHES (NOT INCLUDED) MUST BE MOUNTED IN THE HOLES IN THE CARTRIDGE. SEE DRAWING SD-73973-001 FOR LATCH PART NUMBER AND DETAILS.

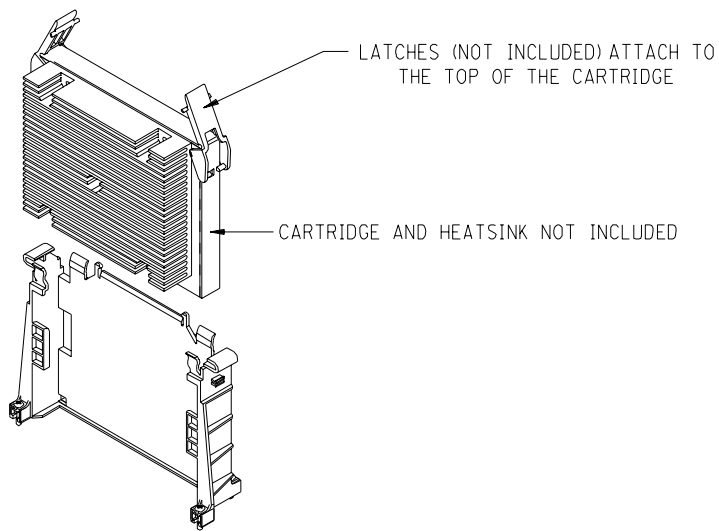


SHORT	73940-0001	73975-0001	.200/5.08
LONG	73940-0002	73975-0002	.600/15.24
SCREW OPTION	ASSEMBLY NO.	SCREW NO.	A

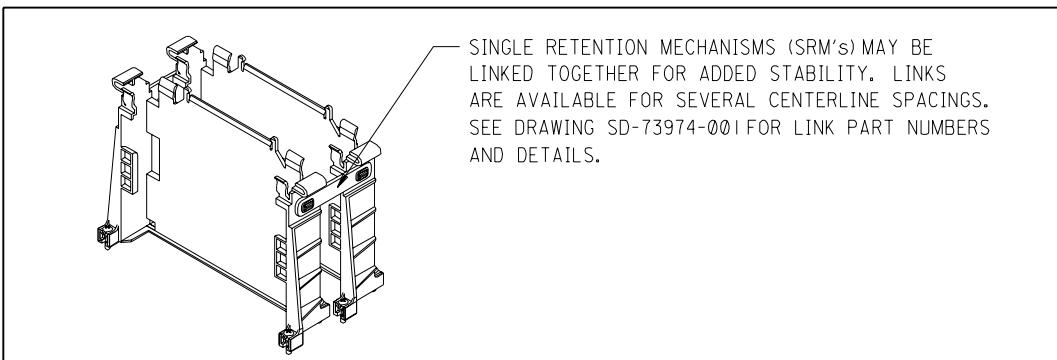
REVISED PER EC No. UDT2000-0027 DRWN: MCGOWAN 99/07/13 CHK: RESENDEZ 99/07/13 APPR: NELSON 99/07/13	QUALITY SYMBOLS MAJOR CRITICAL	GENERAL TOLERANCES: (UNLESS SPECIFIED)	SCALE 1 : 1	DESIGN UNITS <input type="checkbox"/> mm <input checked="" type="checkbox"/> INCH	THIRD ANGLE PROJECTION	DIMENSIONS: <input type="checkbox"/> mm <input checked="" type="checkbox"/> INCH <input type="checkbox"/> mm ONLY		SHT 2	REV B
		4 PLACES ±0. -- ±. -- 3 PLACES ±0. -- ±.015 2 PLACES ±0.38 ±. -- 1 PLACE ±0. -- ±. --	DRAWN BY & DATE LAURX 98/01/06	CHECKED BY & DATE LAURX 98/01/06	APPROVED BY & DATE NELSON 98/01/07	TITLE: SLOT 2 - SRM MODULE SUPPORT HARDWARE SALES DRAWING		MATERIAL NO. SEE TABLE	
REV	DESCRIPTION	ANGULAR: ± 1/2°	CAD FILENAME S7394001.DGN		MOLEX INCORPORATED		THIS DRAWING CONTAINS INFORMATION THAT IS PROPRIETARY TO MOLEX INCORPORATED AND SHOULD NOT BE USED WITHOUT WRITTEN PERMISSION.		SIZE C



RECOMMENDED PCB LAYOUT (CONNECTOR SIDE)



EXPLODED ASSEMBLY VIEW
(DO NOT SCALE)



SEE SHEET 1	REV	DESCRIPTION	QUALITY SYMBOLS	GENERAL TOLERANCES: (UNLESS SPECIFIED)	SCALE	DESIGN UNITS	DIMENSIONS:	SHT	REV
			MAJOR = 0	mm INCH	2 : 1	mm INCH	mm mm mm	REVISE ON CAD ONLY	
B	REV	DESCRIPTION	CRITICAL = 0	mm INCH	DRAWN BY & DATE	THIRD ANGLE PROJECTION	TITLE:	MATERIAL NO.	DRAWING NO.
			4 PLACES ±0. -- ±. --	LAURX 98/01/06	MOLEX INCORPORATED				
			3 PLACES ±0. -- ±.015	CHECKED BY & DATE		SLOT 2 - SRM			
			2 PLACES ±0.38 ±. --	LAURX 98/01/06	MODULE SUPPORT HARDWARE				
			1 PLACE ±0. -- ±. --	APPROVED BY & DATE	SALES DRAWING				
			ANGULAR: ± 1/2°	NELSON 98/01/07	MATERIAL NO. SEE TABLE				
			DRAFT WHERE APPLICABLE MUST REMAIN WITHIN DIMENSIONS	CAD FILENAME	DRAWING NO. SD-73940-001				
				S7394002.DGN	SHEET NO. 2				
				THIS DRAWING CONTAINS INFORMATION THAT IS PROPRIETARY TO MOLEX INCORPORATED AND SHOULD NOT BE USED WITHOUT WRITTEN PERMISSION.					