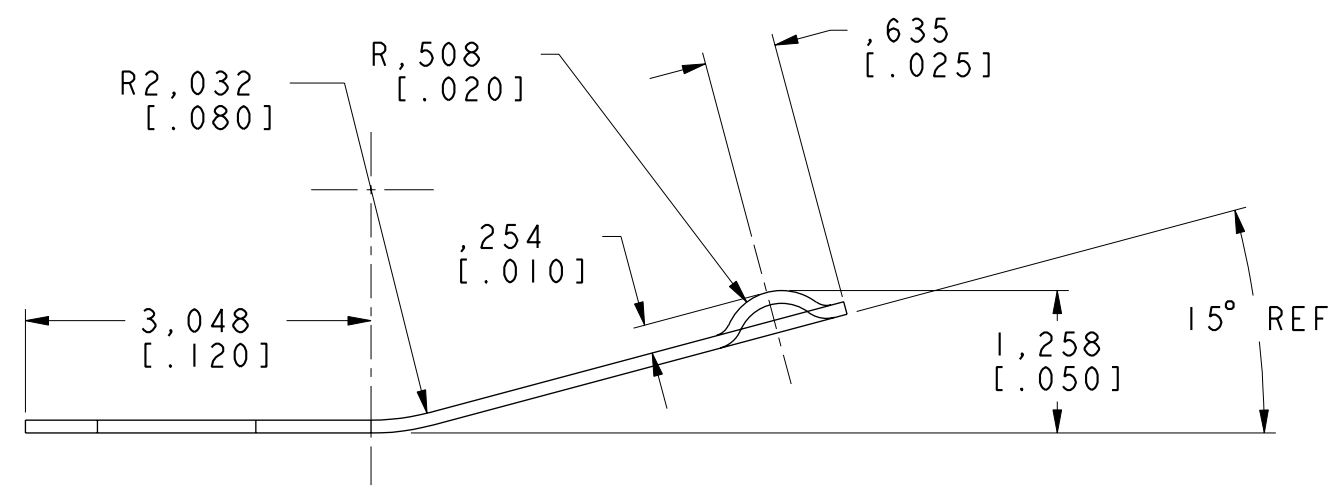
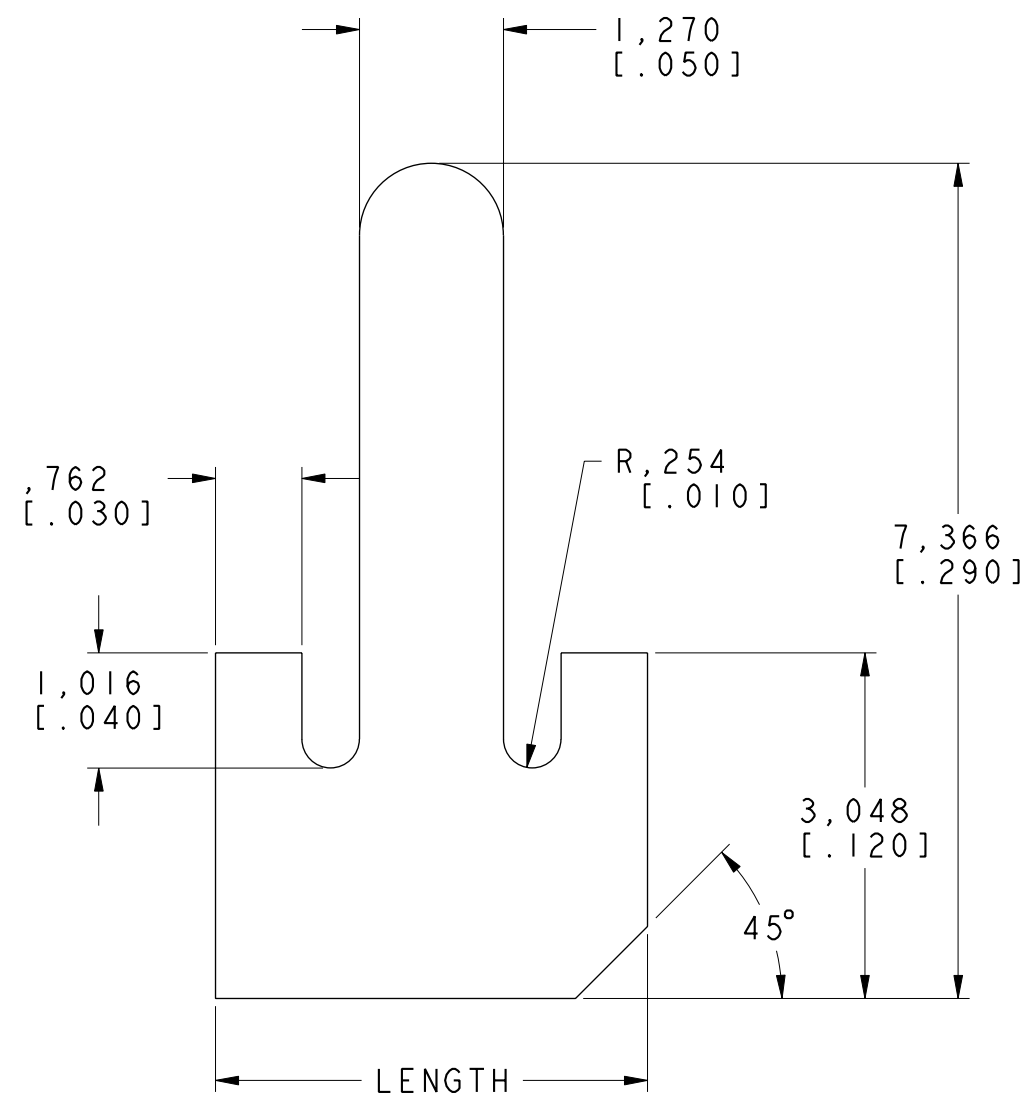
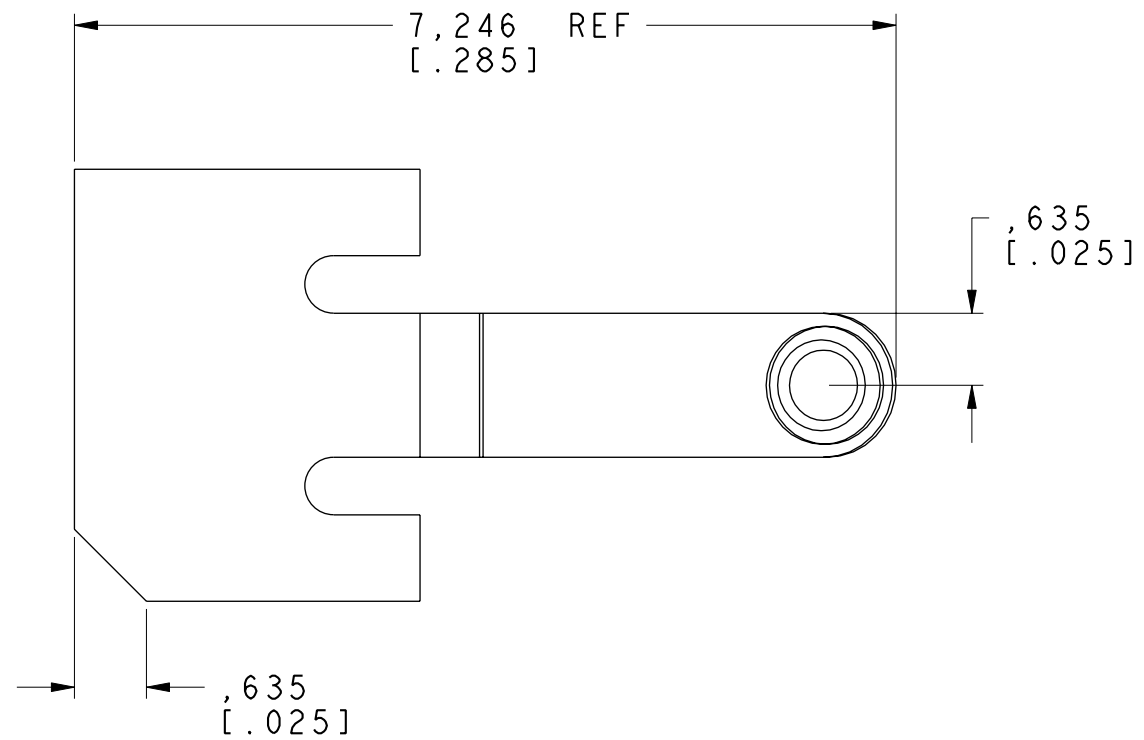


DWG. NO. 0097-0488-XX	
REVISIONS	
ECO-E2465 ADDED VIEW AND DIMENSIONS. CORRECTED INFO IN DRAWING LEGEND RKM 08/15/01 DPG 08/15/01	02
ECO-E3868 CHANGED FINISH TO AS REQ'D REMOVED -03 FROM PART NO. SDH 06/25/03 RKN 06/25/03	03
ECO-E4094 UPDATED TO TABULATED FORMAT -01 16.00 LENGTH, -02 .150 (SINGLE CONTACT) SDH 10/17/03 EWS 10/17/03	04
ECO-E5137 ADD 84 PCS/STRIP TO -01 PART IN TABLE SDH 08/29/05 EWS 08/30/05	05



FLAT PATTERN
SCALE 15:1

5	-02	.150 (SINGLE CONTACT)
	-01	16.00 (84 PCS/STRIP)
ITEM	LENGTH	
MATERIAL:	.0045±.00025 THICK BeCu ALLOY 25 1/2 HARD	
HEAT TREAT:	TO DPH 383 MIN USING A 500 GRAM LOAD	
THICKNESS AFTER CLEANING AND BEFORE PLATING:	.004 MIN.	
FINISH:	AS REQUIRED	
TOLERANCES NOT SHOWN	DECIMAL 2 PL'S ±.381 [.015] DECIMAL 3 PL'S ±.254 [.010]	
ANGULAR	± 3°	
THIRD ANGLE PROJECTION		
UNITS:	MM [INCH]	SCALE: 15:1
CAD MAINTAINED DRAWING. MANUAL CHANGES UNAUTHORIZED.		



DRAWN BY:	SSC	DATE:	07/26/00
CHECKED:	JEK	DATE:	09/11/00
APPROVED:	WHS	DATE:	09/11/00

COIN BATTERY NEGATIVE CONTACT	
REF. DWG NO.	0097-0488
DWG. NO.	0097-0488-XX
REV	05
SHEET 1 OF 1	

THIS INFORMATION IS CONFIDENTIAL AND PROPRIETARY TO LAIRD TECHNOLOGIES. IT MAY NOT BE DISCLOSED TO ANYONE, OTHER THAN LAIRD TECHNOLOGIES PERSONNEL, WITHOUT WRITTEN AUTHORIZATION FROM LAIRD TECHNOLOGIES.

DWG. NO.
0097-0488-XX