

4

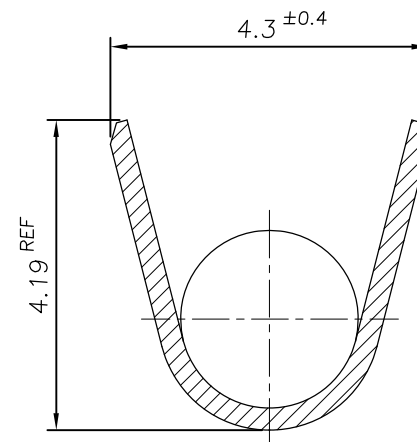
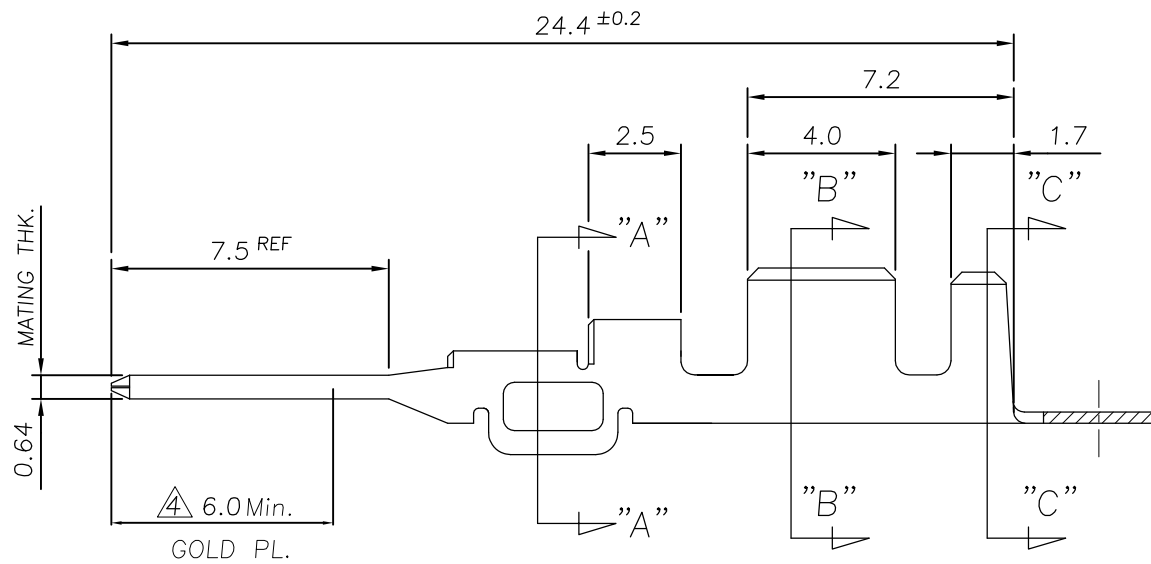
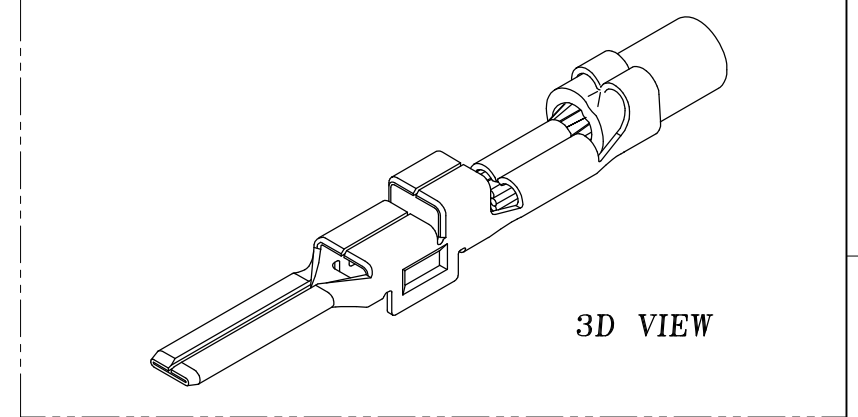
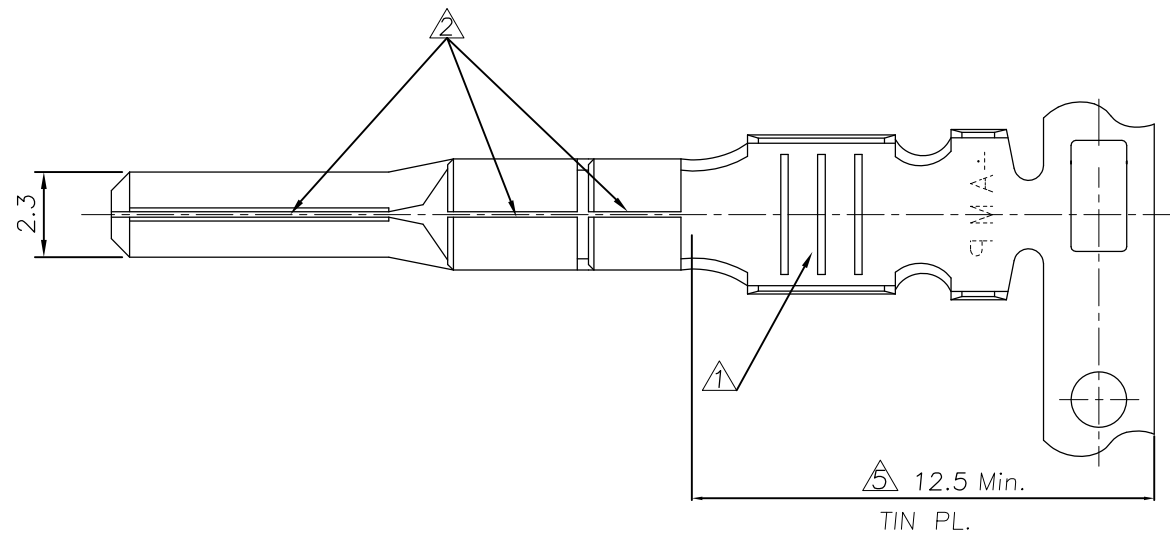
3

2

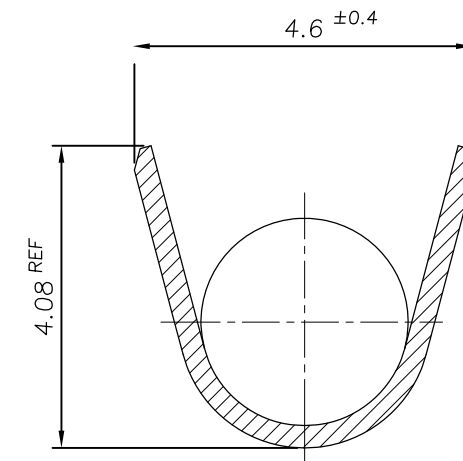
1

THIS DRAWING IS UNPUBLISHED. RELEASED FOR PUBLICATION  
© COPYRIGHT BY TYCO ELECTRONICS CORPORATION, ALL RIGHTS RESERVED.

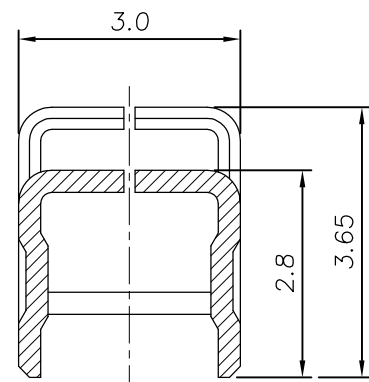
LOC	DIST	REVISIONS					
DS	-	P	LTR	DESCRIPTION	DATE	DWN	APVD
			B	REDRAWN W/CHANGE (FC00-0065-04)	08.APR.'04	JG	CS
			B1	REVISED (ECR-09-015771)	15.JUL.'09	KT	HG



SECTION "B-B"  
SCALE=10/1



SECTION "C-C"  
SCALE=10/1



SECTION "A-A"  
SCALE=10/1

- \* NOTES
- △ THREE SERRATIONS CENTERED IN WIRE BARREL.
  - △ 0.15 MAX GAP PERMISSIBLE.
  - 3 WIRE SIZE EQUIV AVSS 2.0 ~ AESSXF 2.5sqmm.①

4/5 SELECTIVE GOLD PRE-TINNED	BRASS STRIP 0.30THK.	1-368086-1
FINISH	MATERIAL	PART NUMBER

<small>THIS DRAWING IS A CONTROLLED DOCUMENT FOR TYCO ELECTRONICS CORPORATION. IT IS SUBJECT TO CHANGE AND THE CONTROLLING ENGINEERING ORGANIZATION SHOULD BE CONTACTED FOR THE LATEST REVISION.</small>		DWN KT JUNG CHK JW JUNG APVD HG CHD PRODUCT SPEC 108-61021 APPLICATION SPEC 114-61004 WEIGHT NET; 0.37gf		<b>Tyco Electronics</b> Tyco Electronics Kyungsan, Korea NAME .090 II MLC TAB CONTACT SIZE CAGE CODE DRAWING NO A3 00779 C-368086 RESTRICTED TO -	
DIMENSIONS: MM	TOLERANCES UNLESS OTHERWISE SPECIFIED: 0 <XX<10 ± 0.2 10 ≤ XX <30 ± 0.25 ANGLES ± 3°	CUSTOMER DRAWING		SCALE 5/1	SHEET 1 OF 1
MATERIAL SEE TABLE	FINISH SEE TABLE			REV B1	