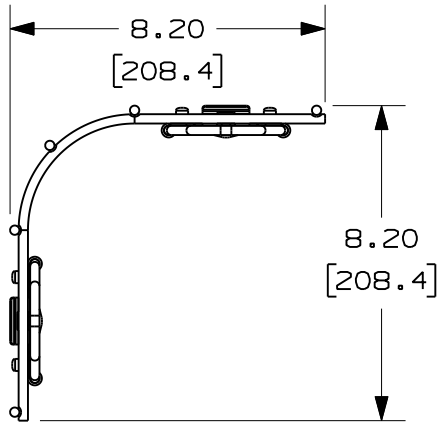
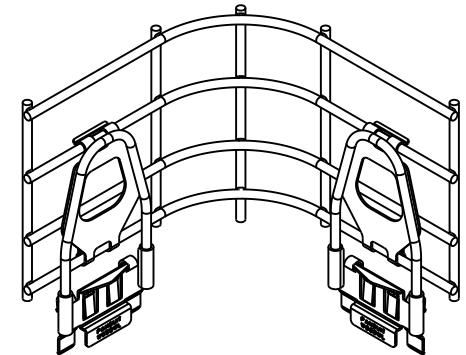
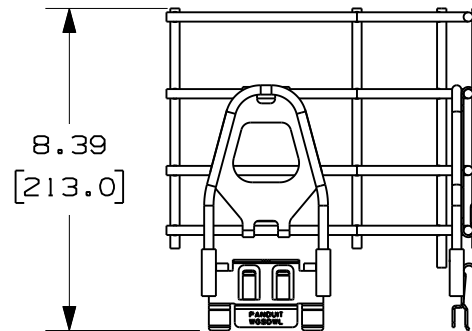
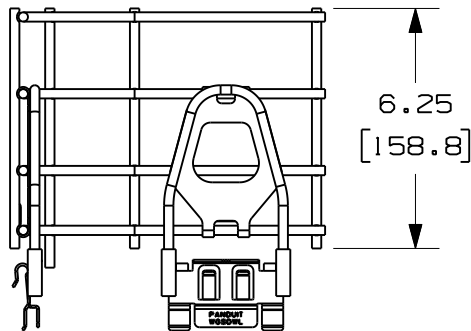


THIS COPY IS PROVIDED ON A RESTRICTED BASIS AND IS NOT TO BE USED IN ANY WAY DETRIMENTAL TO THE INTERESTS OF PANDUIT CORP.



PANDUIT PART NUMBER	WEIGHT
WGINTBRC6	1.96 LB/EACH (889.0 g/EACH)

- PANDUIT PART NUMBER WGINTBRC6 INCLUDES:
1. SEE CURRENT CATALOG FOR PART NUMBER DESIGNATION FOR TYPE AND COLOR.
  2. ONE (1) WYR-GRID INTERSECTION BEND RADIUS CONTROL 6" ASSEMBLY
  3. DIMENSIONS IN PARENTHESES ARE METRIC



CAD FILENAME/LAYERS 09D017AL\_DC/03A WGINTBRC6

PANDUIT CORP. TINLEY PARK, ILLINOIS

WYR-GRID INTERSECTION BEND RADIUS CONTROL 6" (WGINTBRC6)  
CUSTOMER DRAWING

UNLESS OTHERWISE SPECIFIED,  
DIMENSIONAL TOLERANCES ARE:

(.X) ± (.XXX) ±  
(.XX) ± .05 (1.3) ANGLES ±

UNLESS OTHERWISE SPECIFIED,  
ALL DIMENSIONS ARE GIVEN  
IN INCHES, THIRD ANGLE PROJECTION.

DRAWN BY JAHA

MAT'L:

SCALE NONE

DATE 8-13-10

SEE NOTES ABOVE

DRAWING NO.

09D017AL-DC

DWG  
A  
SIZE

REV	DATE	BY	CHK	DESCRIPTION	ECN	CHK	CUST	SUP
R	8-13-10	JAHA	SL	RELEASED TO PRODUCTION	09D017AL-DC	RN	RN	