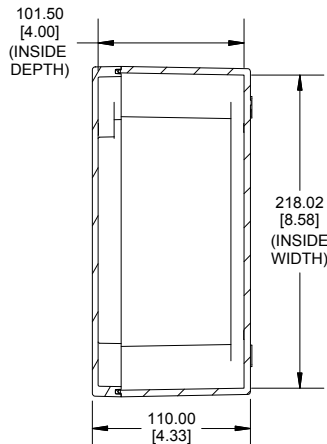
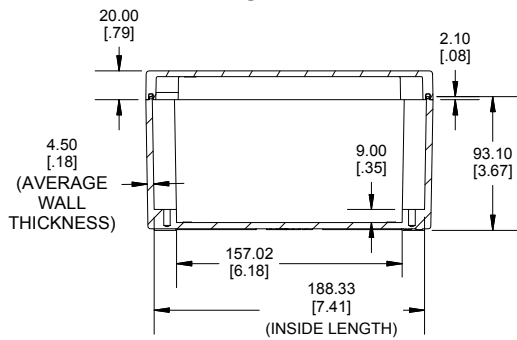


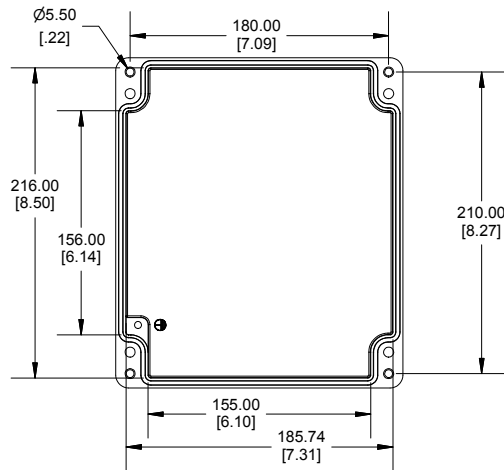
TOP VIEW



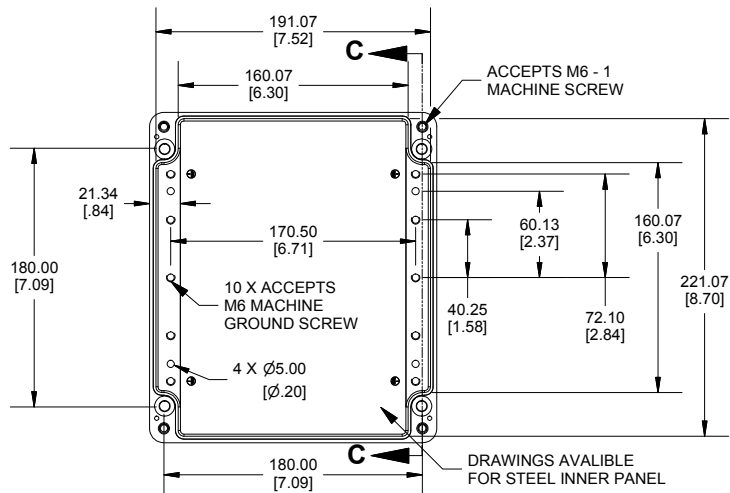
**SECTION A-A
END VIEW**



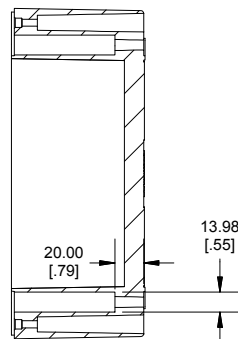
**SECTION B-B
SIDE VIEW**



INSIDE LID



INSIDE BOX



**SECTION C-C
MOUNTING HOLE**

Dimensions:
mm
[inches]

UL US LISTED
FILE #E65324
NEMA 4, 4X, 6, 6P

Enclosures can be Factory Modified (Milling, Drilling, Printing etc.)
Contact Factory mjm@hammondmfg.com for quotes
Solid models of this enclosure available in STEP or IGES.
(Part number and text placement/orientation on our products are subject to change,
we do not recommend using them as a locating reference for modification purposes)

NOTE

Purchased assembly includes box, lid, silicone gasket,
4 cover screws and 4 ground screws with washers.
Box and lid are made from Diecast Aluminum Alloy.

Recommended cover screw Torque 15-17 lbf.in (150 -170 cN.m)

1590Z231	
1590Z231 Enclosure	
Natural Enclosure	1590Z231
Black Enclosure	1590Z231BK
Grey Enclosure - RAL7001 Gloss	1590Z231GY
ACCESSORIES	
Steel Inner Panel	1590Z231PL
Pre-Formed Silicone Gasket (2 Pack)	1590Z231G
Copper Ground Hardware (20 Pack) [M6 - 1.0 X 10mm / M6 Washer]	SCGM6-20
Stainless Steel Cover screws (12 pkg) [M6 - 1.0 x 35mm]	SC564-12

1590Z231
www.hammondmfg.com