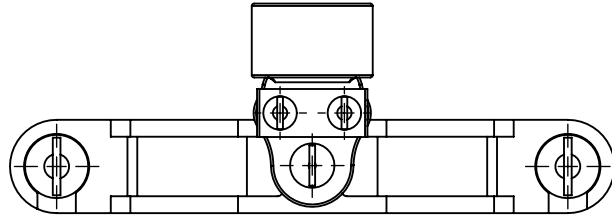
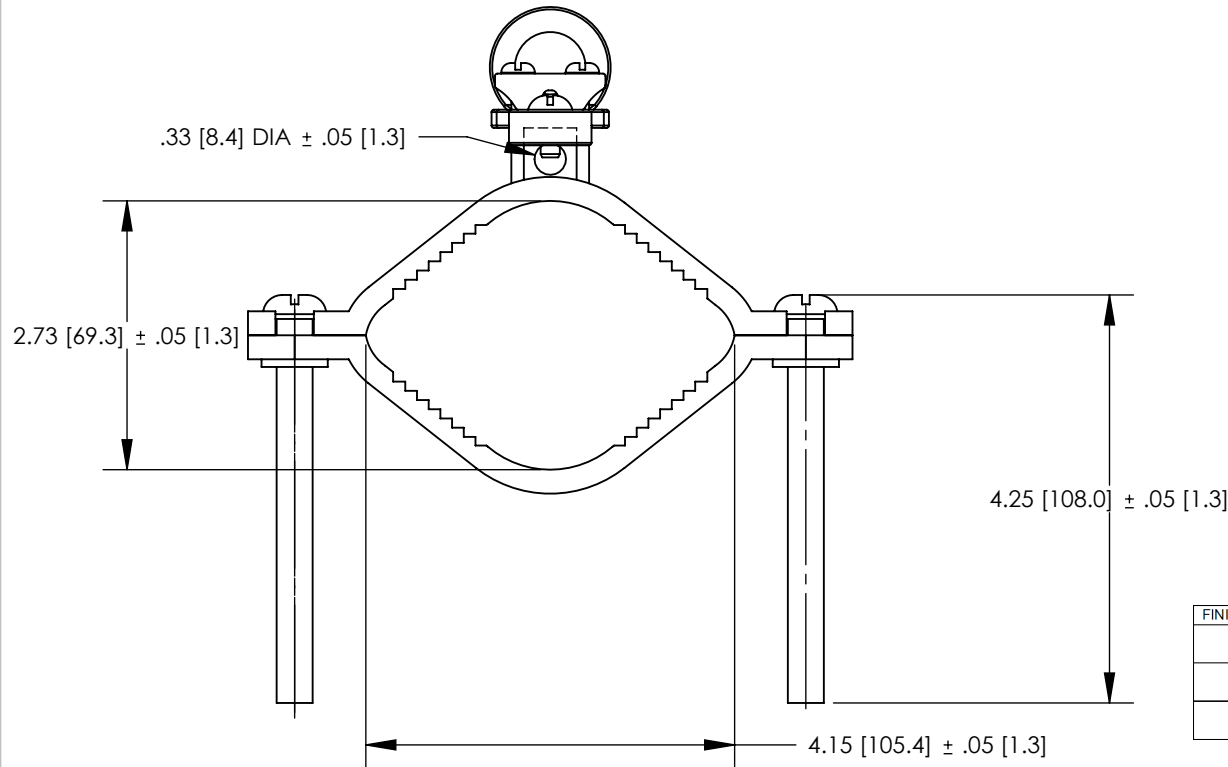
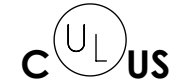


THIS COPY IS PROVIDED ON A RESTRICTED BASIS AND IS NOT TO BE USED IN ANY WAY DETRIMENTAL TO THE INTERESTS OF PANDUIT CORP.



NOTES:

- MATERIAL:  
BODY - BRONZE (GUN METAL)  
SCREW - STEEL, ZINC PLATED
- PARTS ARE cULus LISTED TO UL467 AS  
GROUNDING & BONDING EQUIPMENT.
- SEE WWW.PANDUIT.COM FOR PART NUMBER  
SUFFIX DESIGNATION FOR PACKAGE SIZE.



FINISHED PART NUMBER	DESCRIPTION	WATER PIPE	GROUNDING WIRE
GPCG2/0-4-12	GROUND CLAMP FOR RIGID CONDUIT 360 DEG HUB CONDUIT 1/2"	2-1/2" - 4"	10 - 2/0 STR
GPCG2/0-4-34	GROUND CLAMP FOR RIGID CONDUIT 360 DEG HUB CONDUIT 3/4"	2-1/2" - 4"	10 - 2/0 STR
GPCG3/0-4-1	GROUND CLAMP FOR RIGID CONDUIT 360 DEG HUB CONDUIT 1"	2-1/2" - 4"	10 - 3/0 STR

REV	DATE	BY	CHK	APR	DESCRIPTION	ECN
00	7/12	JHNU	SRBI	RGB	DRAWING RELEASED	10J018AP-JC

TITLE <b>BRONZE GROUND PIPE CLAMP - 2-1/2" - 4" CUSTOMER DRAWING</b>	
ITEM REVISION NAME	10J018AP/00
DATASET FILE NAME	10J018AP-JC/00.SLDDRW
UNLESS OTHERWISE SPECIFIED, DIMENSIONAL TOLERANCES ARE: IN [mm] .X ± .XXX ± .XX ± ANGLES ±	
THIRD ANGLE PROJECTION	
DRAWING NUMBER 10J018AP-JC	
DRAWN BY JHNU	DATE 7/12
CHK SRBI	SCALE N/A
SHEET 1 OF 1	
SIZE A	



MATERIAL  
**SEE NOTES**