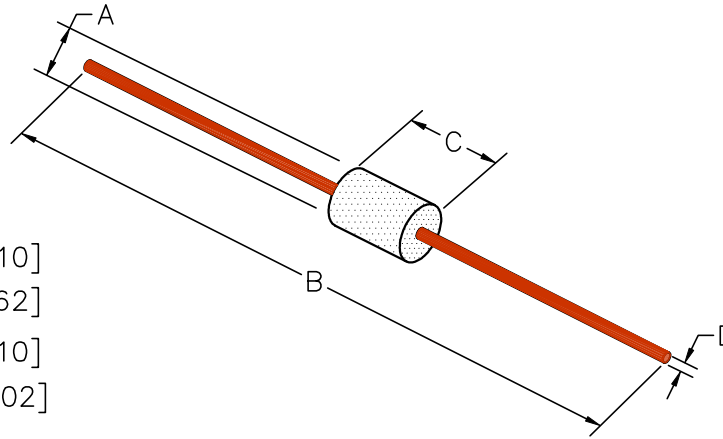




# 28L0138-50R-10

**UNCONTROLLED DOCUMENT**

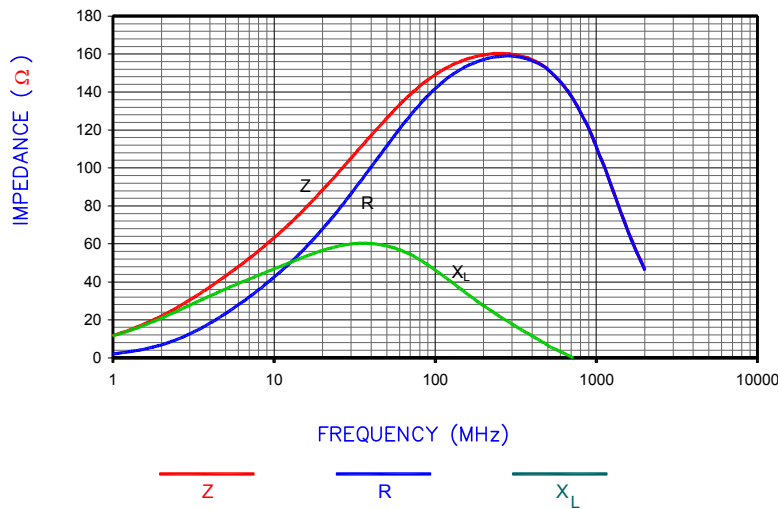


PHYSICAL DIMENSIONS:

A	3.51 [.138]	+ 0.25 [.010]
B	59.00 [2.32]	+ 1.57 [.062]
C	9.53 [.375]	+ 0.25 [.010]
D	0.64 [.025]	+ 0.05 [.002]

ELECTRICAL CHARACTERISTICS:				
	Z ( $\Omega$ ) @		DCR ( $\Omega$ )	Rated Current
	25 MHz	100MHz		
Nominal	92	153		
Minimum	—	114		
Maximum	—	191	0.01	5,000 mA

|Z| , R, AND X vs. FREQUENCY



NOTES: UNLESS OTHERWISE SPECIFIED

1. TAPED AND REELED per CURRENT EIA SPECIFICATIONS 14" REELS, 4500 PCS/REEL.
2. COMPONENTS SHOULD BE ADEQUATELY PREHEATED BEFORE SOLDERING.
3. WIRE: C10200 OXYGEN FREE COPPER (99.95 MIN.) 22AWG (.025 DIA.)
4. PLATING: 100% TIN  $5\mu \pm 2\mu$  [ $200\mu\text{in} \pm 80\mu\text{in}$ ]
5. WEIGHT/1000: .440 kgs. .970 lbs.
6. REFERENCE STEWARD CORE P/N 28B0138-\*00.

DIMENSIONS ARE IN mm (INCHES).				THIS DOCUMENT CONTAINS INFORMATION WHICH IS PROPRIETARY AND CONFIDENTIAL TO STEWARD. NO PRODUCTION OR PUBLICATION OF THIS DOCUMENT IN WHOLE OR IN PART SHALL BE MADE WITHOUT WRITTEN AUTHORIZATION FROM STEWARD.			
F	CHANGE P/N (ADD -10) CHG NOTE 3 ADD NO LEAD SYMBOL, COR. PART WGT	10/14/03	JRK	<h1>Steward</h1>			
E	UPDATE PRINT FORMAT REM SHEET 40F4 ADDED NOTES TO SHEET 20F3.	10/22/01	JRK				
D	ADDED (*NOTE&DIM) TO SHT 30F4 CORRECTED DIM D ON SHT 2 OF 4	10/12/98	DTR	PROJECT/PART NUMBER:	REV	PART TYPE:	DRAWN BY:
C	UPDATE PRINT FORMAT	08/06/98	DTR	28L0138-50R-10	F	ASSEMBLY	BENTON
B	UPDATE DIM C	12/18/96	GEM	DATE:	SCALE:	SHEET:	
A	ORIGINAL DRAFT	06/21/90	B	06/21/90	NTS		
REV	DESCRIPTION	DATE	INT	CAD #	TOOL #	SHEET:	
				28L0138-50R-10-2-F	B0138	2 of 3	