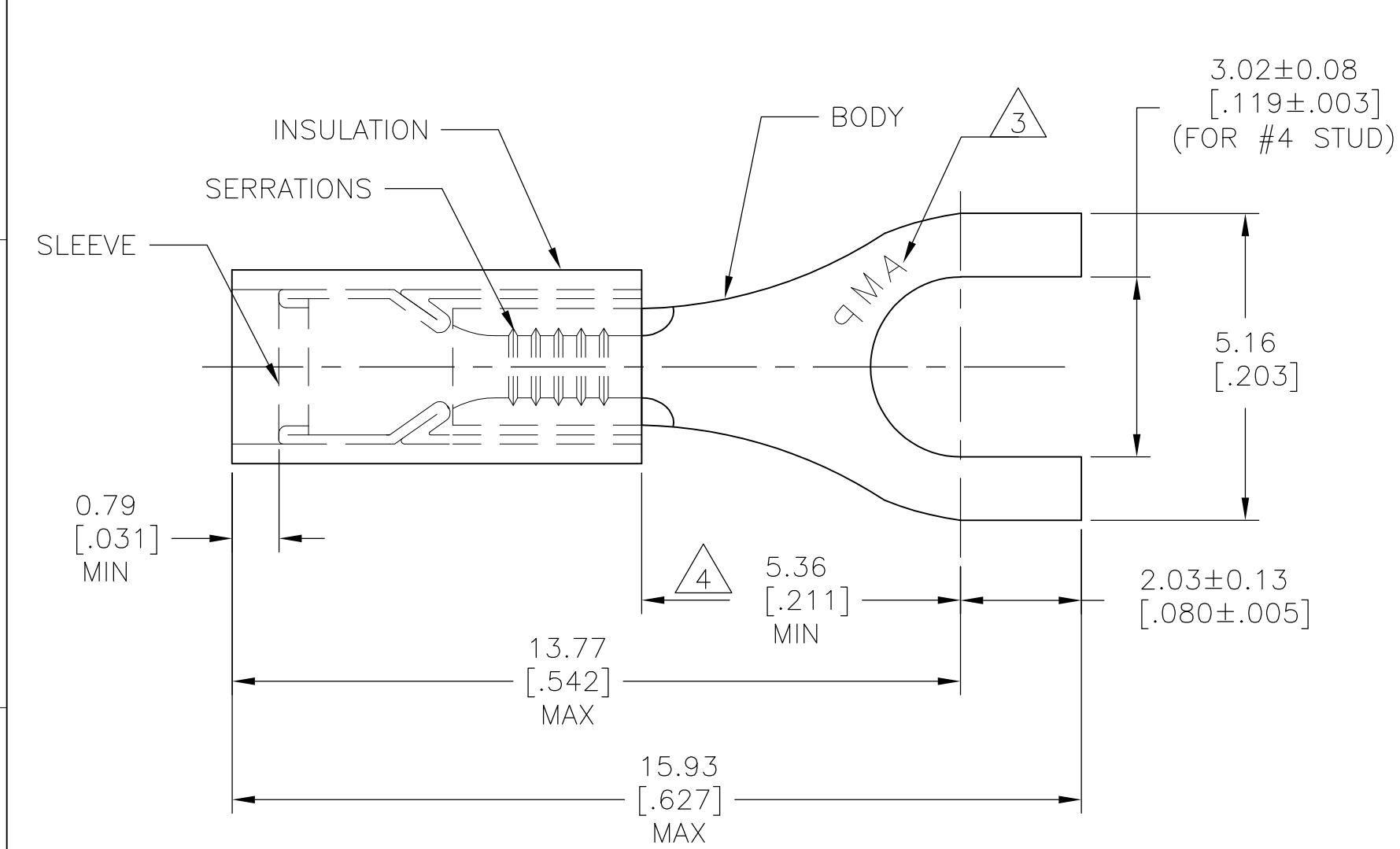


THIS DRAWING IS UNPUBLISHED. RELEASED FOR PUBLICATION
 © COPYRIGHT - By - ALL RIGHTS RESERVED.

LOC	DIST	REVISIONS					
		P	LTR	DESCRIPTION	DATE	DWN	APVD
-	-		M2	NEW DRAWING PER ECO-11-019045	03APR12	KH	DR



AMP
WIRE RANGE

26-22 AWG
STRANDED

- 1 TONGUE MATERIAL THK: 0.46±0.05[.018±.002]
- 2 FOR WIRE INSULATION DIA:1.27[.050] TO 2.08[.082]
- 3 STAMP AMP APPROX AS SHOWN.
- 4 DIMENSION APPLIES FROM EDGE OF METAL WIRE BARREL TO CENTER OF STUD.
- 5 MATERIAL: BODY & SLEEVE: COPPER PER ASTM B152. INSULATION : NYLON
- 6 FINISH: BODY & SLEEVE: TIN PLATE PER ASTM B545. INSULATION: COLOR-YELLOW.

100	LOOSE PC, BOX	8-321035-1
4000	ON TAPE REEL	2-321035-1
1000	LOOSE PC	321035
QTY	PACKAGE TYPE	PART NO

AMP INCORPORATED
CUSTOMER SERVICE SYSTEMS

FOR ADDITIONAL PRODUCT INFORMATION OR COPIES OF DRAWINGS AND TECHNICAL DOCUMENTS
 PRODUCT INFORMATION CENTER
 1-800-522-6752

FOR APPLICATION TOOLING INFORMATION
 TOOLING ASSISTANCE CENTER
 1-800-722-1111

FOR ORDER ENTRY
 1-800-526-5142

RECOMMENDED OPERATING TEMPERATURE:
-

VOLTAGE RATING:
-

WIRE CROSS SECTIONAL AREA RANGE:
0.10-0.41mm² [202-810] CIR.MIL STRANDED

THIS DRAWING IS A CONTROLLED DOCUMENT.

DIMENSIONS:
mm [INCHES]

TOLERANCES UNLESS OTHERWISE SPECIFIED:

0 PLC	± -
1 PLC	± -
2 PLC	± 0.20[.008]
3 PLC	± -
4 PLC	± -
ANGLES	± 5°

MATERIAL 5

FINISH 6

DWN KIRAN HOLAL 03APR12	TE Connectivity WIRE TERMINAL, P.I.D.G. TM , 26-22 SPADE #4 STUD	NAME	SIZE	CAGE CODE	DRAWING NO	RESTRICTED TO
CHK ROHDE DANIEL 03APR12		APVD ROHDE DANIEL 03APR12	A3	00779	C-321035	-
APVD ROHDE DANIEL 03APR12		PRODUCT SPEC	APPLICATION SPEC	WEIGHT	-	-
CUSTOMER DRAWING		SCALE	10:1	SHEET	1 OF 1	REV M2