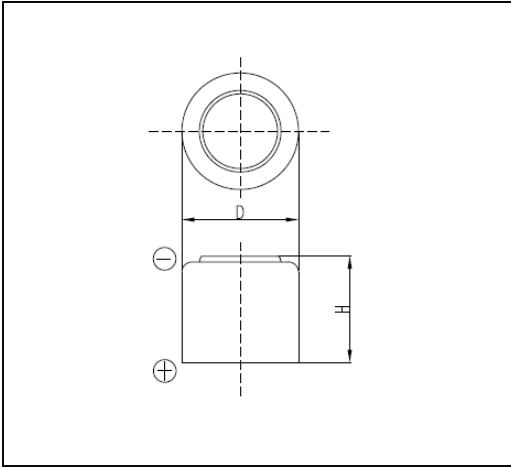


Cell Type CR-1/3N Specifications



Nominal Voltage (V)		3
Nominal Capacity (mAh) *1		160
Standard Discharge Current (mA)		2.7
Operating Temperature Range (°C)		-20 ~ +60
Dimensions (mm)	Diameter (D)	11.6
	Height (H)	10.8
Approx. Weight (g)		3.3

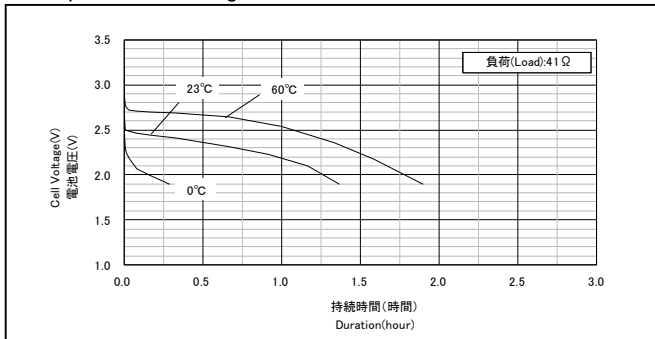
- * Expected life is 5 years at room temperature.
- * Consult with FDK when considering multiple-cell construction.
- *1 Nominal capacity is determined at an end voltage of 2.0V when the battery is allowed to discharge at a standard current level at +23°C.

Note) Battery Handling Precautions

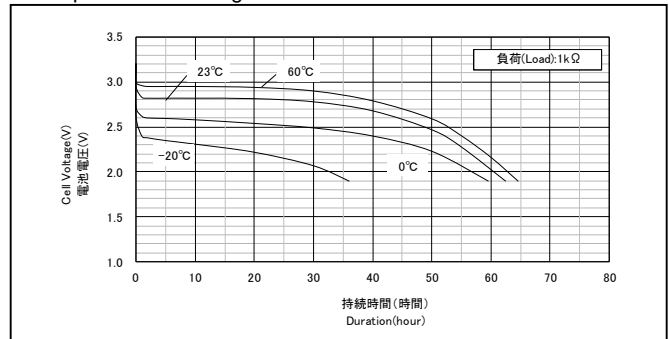
English) http://www.fdk.com/battery/lithium_e/handling_precaution.html
 Japanese) http://www.fdk.co.jp/battery/lithium/handling_precaution.html

Typical Characteristics

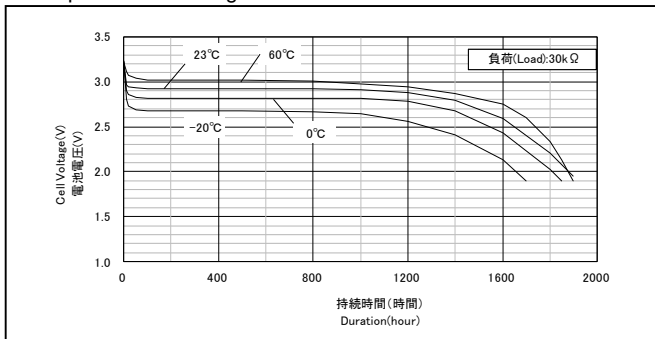
Temperature Discharge Characteristics



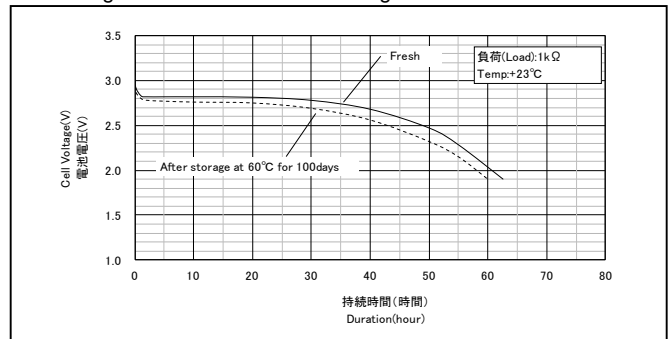
Temperature Discharge Characteristics



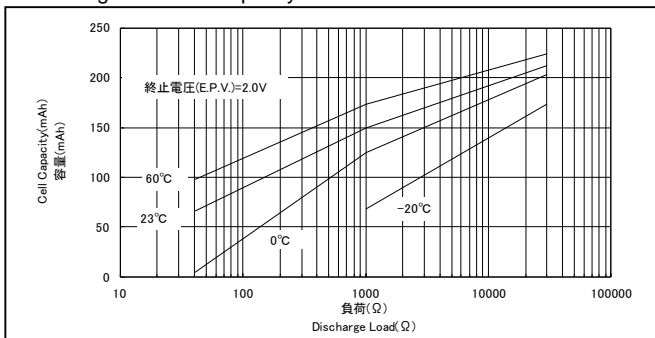
Temperature Discharge Characteristics



Discharge Characteristics after Storage



Discharge Load vs. Capacity



Discharge Load vs. Operating Voltage

