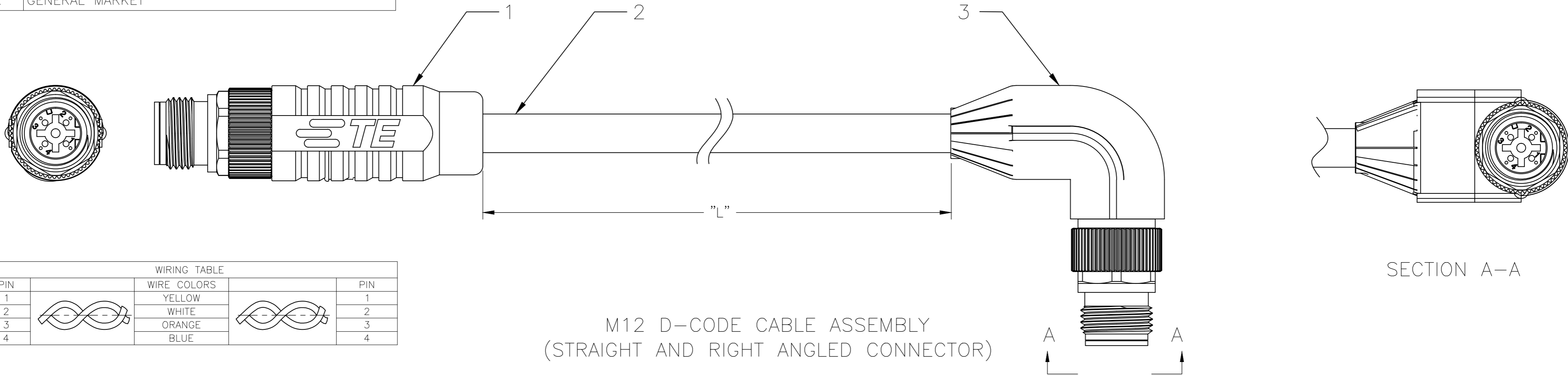


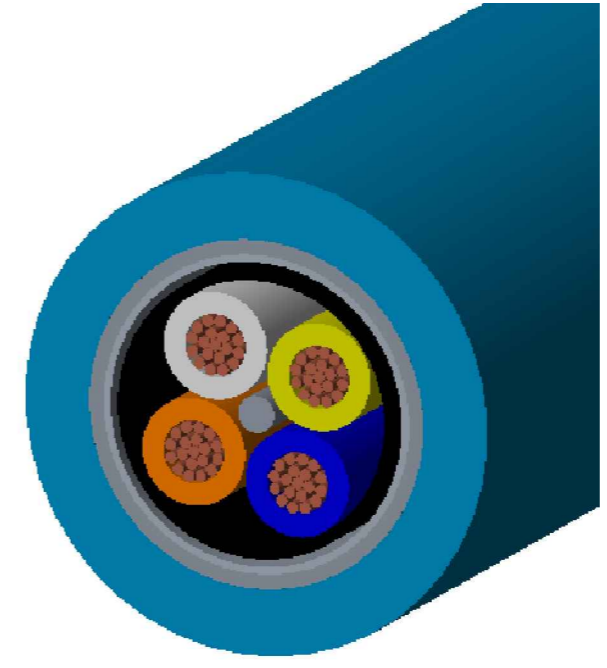
| | | | |
|-------------------------------|---|--------------------------|--|
| THIS DRAWING IS UNPUBLISHED. | | RELEASED FOR PUBLICATION | |
| © COPYRIGHT - TE Connectivity | | ALL RIGHTS RESERVED. | |
| PROJECT | PRJ-14-000004825 | | |
| PART NO. | X-2322422-X | | |
| DESCRIPTION | M12 D-4 CODE CABLE ASSY. (PLUG-PLUG) CAT 5E | | |
| CUSTOMER | GENERAL MARKET | | |

| REVISIONS | | | | |
|-----------|-----|-----------------|-----------|-------|
| P | LTR | DESCRIPTION | DATE | APVD |
| A | | INITIAL RELEASE | 07JUL2017 | KK ES |

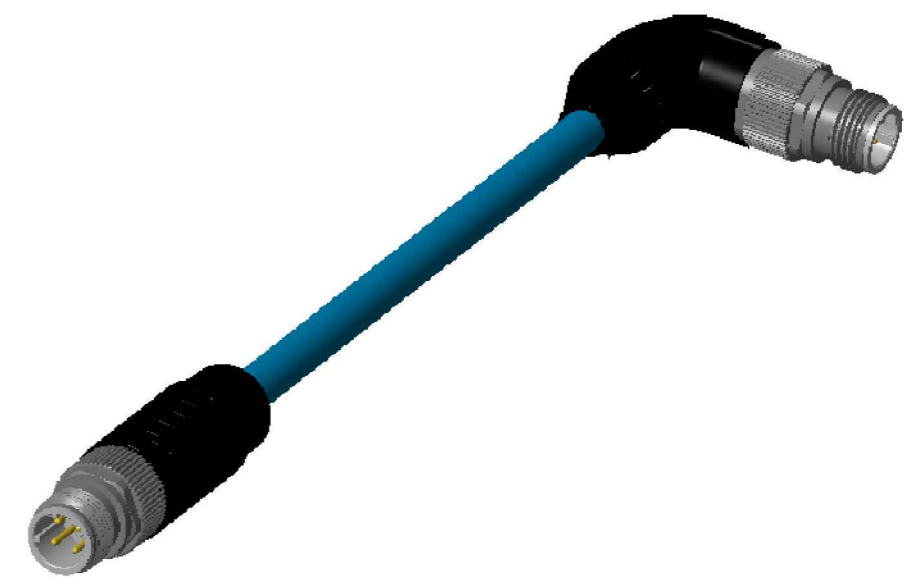


| WIRING TABLE | | | |
|--------------|--|-------------|-----|
| PIN | | WIRE COLORS | PIN |
| 1 | | YELLOW | 1 |
| 2 | | WHITE | 2 |
| 3 | | ORANGE | 3 |
| 4 | | BLUE | 4 |

| SL.NO | CODE | ASSY. PART NO. | M12 CONNECTOR 1 PART NO. | M12 CONNECTOR 2 PART NO. | DESCRIPTION | CABLE TYPE | CABLE PART NO. | CABLE LENGTH "L" IN "m" | NO. OF POSITIONS |
|-------|---------|----------------|--------------------------|---------------------------|---|-----------------|----------------|-------------------------|------------------|
| 1 | D4-CODE | 2322422-1 | | | M12 D-4-M CABLE ASSY. (PLUG-PLUG) 1M CABLE | | | 1.0 | 4 |
| 2 | D4-CODE | 2322422-2 | | | M12 D-4-M CABLE ASSY. (PLUG-PLUG) 1.5M CABLE | | | 1.5 | 4 |
| 3 | D4-CODE | 2322422-3 | | | M12 D-4-M CABLE ASSY. (PLUG-PLUG) 2M CABLE | | | 2.0 | 4 |
| 4 | D4-CODE | 2322422-4 | | | M12 D-4-M CABLE ASSY. (PLUG-PLUG) 2.5M CABLE | | | 2.5 | 4 |
| 5 | D4-CODE | 2322422-5 | | | M12 D-4-M CABLE ASSY. (PLUG-PLUG) 3M CABLE | | | 3.0 | 4 |
| 6 | D4-CODE | 2322422-6 | | | M12 D-4-M CABLE ASSY. (PLUG-PLUG) 3.5M CABLE | | | 3.5 | 4 |
| 7 | D4-CODE | 2322422-7 | | | M12 D-4-M CABLE ASSY. (PLUG-PLUG) 4M CABLE | | | 4.0 | 4 |
| 8 | D4-CODE | 2322422-8 | | | M12 D-4-M CABLE ASSY. (PLUG-PLUG) 4.5M CABLE | | | 4.5 | 4 |
| 9 | D4-CODE | 2322422-9 | | | M12 D-4-M CABLE ASSY. (PLUG-PLUG) 5M CABLE | | | 5.0 | 4 |
| 10 | D4-CODE | 1-2322422-0 | | | M12 D-4-M CABLE ASSY. (PLUG-PLUG) 5.5M CABLE | | | 5.5 | 4 |
| 11 | D4-CODE | 1-2322422-1 | | | M12 D-4-M CABLE ASSY. (PLUG-PLUG) 6M CABLE | | | 6.0 | 4 |
| 12 | D4-CODE | 1-2322422-2 | | | M12 D-4-M CABLE ASSY. (PLUG-PLUG) 6.5M CABLE | | | 6.5 | 4 |
| 13 | D4-CODE | 1-2322422-3 | | | M12 D-4-M CABLE ASSY. (PLUG-PLUG) 7M CABLE | | | 7.0 | 4 |
| 14 | D4-CODE | 1-2322422-4 | | | M12 D-4-M CABLE ASSY. (PLUG-PLUG) 7.5M CABLE | | | 7.5 | 4 |
| 15 | D4-CODE | 1-2322422-5 | | | M12 D-4-M CABLE ASSY. (PLUG-PLUG) 8M CABLE | | | 8.0 | 4 |
| 16 | D4-CODE | 1-2322422-6 | | | M12 D-4-M CABLE ASSY. (PLUG-PLUG) 8.5M CABLE | | | 8.5 | 4 |
| 17 | D4-CODE | 1-2322422-7 | | | M12 D-4-M CABLE ASSY. (PLUG-PLUG) 9M CABLE | | | 9.0 | 4 |
| 18 | D4-CODE | 1-2322422-8 | | | M12 D-4-M CABLE ASSY. (PLUG-PLUG) 9.5M CABLE | | | 9.5 | 4 |
| 19 | D4-CODE | 1-2322422-9 | 2-2823445-1 (STRAIGHT) | 1-2823588-3 (RIGHT ANGLE) | M12 D-4-M CABLE ASSY. (PLUG-PLUG) 10M CABLE | TE CAT 5E CABLE | 2320808-1 | 10.0 | 4 |
| 20 | D4-CODE | 2-2322422-0 | | | M12 D-4-M CABLE ASSY. (PLUG-PLUG) 10.5M CABLE | | | 10.5 | 4 |
| 21 | D4-CODE | 2-2322422-1 | | | M12 D-4-M CABLE ASSY. (PLUG-PLUG) 11M CABLE | | | 11.0 | 4 |
| 22 | D4-CODE | 2-2322422-2 | | | M12 D-4-M CABLE ASSY. (PLUG-PLUG) 11.5M CABLE | | | 11.5 | 4 |
| 23 | D4-CODE | 2-2322422-3 | | | M12 D-4-M CABLE ASSY. (PLUG-PLUG) 12M CABLE | | | 12.0 | 4 |
| 24 | D4-CODE | 2-2322422-4 | | | M12 D-4-M CABLE ASSY. (PLUG-PLUG) 12.5M CABLE | | | 12.5 | 4 |
| 25 | D4-CODE | 2-2322422-5 | | | M12 D-4-M CABLE ASSY. (PLUG-PLUG) 13M CABLE | | | 13.0 | 4 |
| 26 | D4-CODE | 2-2322422-6 | | | M12 D-4-M CABLE ASSY. (PLUG-PLUG) 13.5M CABLE | | | 13.5 | 4 |
| 27 | D4-CODE | 2-2322422-7 | | | M12 D-4-M CABLE ASSY. (PLUG-PLUG) 14M CABLE | | | 14.0 | 4 |
| 28 | D4-CODE | 2-2322422-8 | | | M12 D-4-M CABLE ASSY. (PLUG-PLUG) 14.5M CABLE | | | 14.5 | 4 |
| 29 | D4-CODE | 2-2322422-9 | | | M12 D-4-M CABLE ASSY. (PLUG-PLUG) 15M CABLE | | | 15.0 | 4 |
| 30 | D4-CODE | 3-2322422-0 | | | M12 D-4-M CABLE ASSY. (PLUG-PLUG) 15.5M CABLE | | | 15.5 | 4 |
| 31 | D4-CODE | 3-2322422-1 | | | M12 D-4-M CABLE ASSY. (PLUG-PLUG) 16M CABLE | | | 16.0 | 4 |
| 32 | D4-CODE | 3-2322422-2 | | | M12 D-4-M CABLE ASSY. (PLUG-PLUG) 16.5M CABLE | | | 16.5 | 4 |
| 33 | D4-CODE | 3-2322422-3 | | | M12 D-4-M CABLE ASSY. (PLUG-PLUG) 17M CABLE | | | 17.0 | 4 |
| 34 | D4-CODE | 3-2322422-4 | | | M12 D-4-M CABLE ASSY. (PLUG-PLUG) 17.5M CABLE | | | 17.5 | 4 |
| 35 | D4-CODE | 3-2322422-5 | | | M12 D-4-M CABLE ASSY. (PLUG-PLUG) 18M CABLE | | | 18.0 | 4 |
| 36 | D4-CODE | 3-2322422-6 | | | M12 D-4-M CABLE ASSY. (PLUG-PLUG) 18.5M CABLE | | | 18.5 | 4 |
| 37 | D4-CODE | 3-2322422-7 | | | M12 D-4-M CABLE ASSY. (PLUG-PLUG) 19M CABLE | | | 19.0 | 4 |
| 38 | D4-CODE | 3-2322422-8 | | | M12 D-4-M CABLE ASSY. (PLUG-PLUG) 19.5M CABLE | | | 19.5 | 4 |
| 39 | D4-CODE | 3-2322422-9 | | | M12 D-4-M CABLE ASSY. (PLUG-PLUG) 20M CABLE | | | 20.0 | 4 |



SECTIONAL PICTORIAL VIEW OF THE CABLE



PICTORIAL VIEW

| SL.NO. | PART NO. | DESCRIPTION | QTY |
|--------|-------------|----------------------------------|--------------------|
| 1 | 2-2823445-1 | M12 D-4 CODED MALE CONNECTOR | 1 |
| 2 | 2320808-1 | TE CAT 5E CABLE (COLOR: BLUE) | METER (REF. TABLE) |
| 3 | 1-2823588-3 | M12 D-4 CODED MALE 90° CONNECTOR | 1 |

THIS DRAWING IS A CONTROLLED DOCUMENT.

| | | | |
|----------------|--|--|-------------------------------|
| DIMENSIONS: mm | TOLERANCES UNLESS OTHERWISE SPECIFIED: | DWN: KIRAN K 07JUL2017 | |
| | 0 PLC ± - | CHK: KIRAN K 07JUL2017 | |
| | 1 PLC ± - | APVD: E STELLINGA 07JUL2017 | |
| | 2 PLC ± - | NAME: M12 D-4-M CODE CABLE ASSEMBLY CAT 5E (PLUG-PLUG) | |
| | 3 PLC ± - | PRODUCT SPEC | |
| MATERIAL: - | FINISH: - | APPLICATION SPEC: - | RESTRICTED TO: - |
| | | WEIGHT: - | SCALE: A2 00779 |
| | | CUSTOMER DRAWING | SCALE: NTS SHEET 1 OF 1 REV A |